

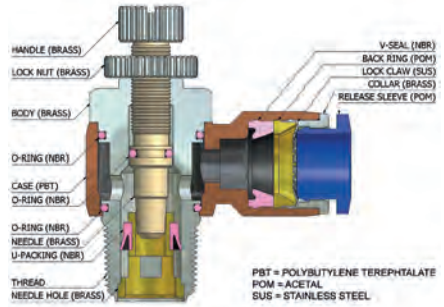
CDC 10 Bar Speed Controllers

Features

- Accurate regulation of an optimal airflow rate for precise motion control
- Tube direction and angle are controlled according to piping, as the main body can rotate up to 360° after assembly
- Needle rotation is increased to 10 – 12 times for easy speed and regular speed control
- Easy speed control with drive tools in limited and crowded spaces NSC (D) and NSC (DC) types
- Miniaturised products occupy small space attaching to devices

Applications

- A valve to control the speed of the air pressure cylinders
- Mainly installed in the air cylinder



SPECIFICATIONS

Suitability	Air (no other type of gas or liquid) Do not use in water applications
Working pressure	14.2 to 150 psi (1 to 10.3 bar)
Working temperature	0°C to 60°C (32°F to 140°F)

METRIC TUBE TO THREAD



3700

SWIVEL ROTATING ELBOW
BSPT MALE

PART NUMBER	TUBE OD	THREAD	BAG QTY
CDNSC0401N	4 mm	1/8" BSPT	10
CDNSC0402N	4 mm	1/4" BSPT	10
CDNSC0601N	6 mm	1/8" BSPT	10
CDNSC0602N	6 mm	1/4" BSPT	10
CDNSC0603N	6 mm	3/8" BSPT	5
CDNSC0604N	6 mm	1/2" BSPT	5
CDNSC0801N	8 mm	1/8" BSPT	10
CDNSC0802N	8 mm	1/4" BSPT	10
CDNSC0803N	8 mm	3/8" BSPT	5
CDNSC0804N	8 mm	1/2" BSPT	5
CDNSC1001N	10 mm	1/8" BSPT	5
CDNSC1002N	10 mm	1/4" BSPT	5
CDNSC1003N	10 mm	3/8" BSPT	5
CDNSC1004N	10 mm	1/2" BSPT	5
CDNSC1202N	12 mm	1/4" BSPT	5
CDNSC1203N	12 mm	3/8" BSPT	5
CDNSC1204N	12 mm	1/2" BSPT	5



3700

SWIVEL ROTATING ELBOW
METRIC MALE

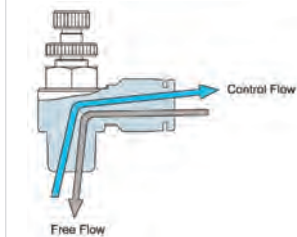
PART NUMBER	TUBE OD	THREAD	BAG QTY
CDNSC03M5N	3 mm	M5 x 0.8	10
CDNSC04M5N	4 mm	M5 x 0.8	10
CDNSC06M5N	6 mm	M5 x 0.8	10

BSPP MALE

PART NUMBER	TUBE OD	THREAD	BAG QTY
CDNSC04G1	4 mm	1/8" BSPP	10
CDNSC04G2	4 mm	1/4" BSPP	10
CDNSC06G1	6 mm	1/8" BSPP	10
CDNSC06G2	6 mm	1/4" BSPP	10
CDNSC06G3	6 mm	3/8" BSPP	5
CDNSC06G4	6 mm	1/2" BSPP	5
CDNSC08G1	8 mm	1/8" BSPP	10
CDNSC08G2	8 mm	1/4" BSPP	10
CDNSC08G3	8 mm	3/8" BSPP	5
CDNSC08G4	8 mm	1/2" BSPP	5
CDNSC10G1	10 mm	1/8" BSPP	5
CDNSC10G2	10 mm	1/4" BSPP	5
CDNSC10G3	10 mm	3/8" BSPP	5
CDNSC10G4	10 mm	1/2" BSPP	5
CDNSC12G2	12 mm	1/4" BSPP	5
CDNSC12G3	12 mm	3/8" BSPP	5
CDNSC12G4	12 mm	1/2" BSPP	5

METER-OUT METHOD CONTROL (PREFERRED FOR CYLINDERS)

This product controls the air on the outlet to the tubing & allows free flow through the threaded port.



IMPERIAL THREAD TO THREAD

SWIVEL ROTATING ELBOW
METAL BODY
BSPT MALE / BSPT FEMALE



3700

PART NUMBER	MALE THREAD	FEMALE THREAD	BAG QTY
CDNSCF01	1/8" BSPT	1/8" BSPT	10
CDNSCF02	1/4" BSPT	1/4" BSPT	5
CDNSCF03	3/8" BSPT	3/8" BSPT	5
CDNSCF04	1/2" BSPT	1/2" BSPT	3