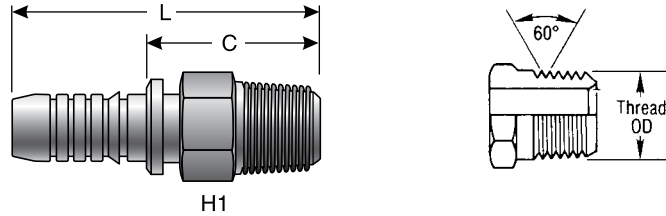


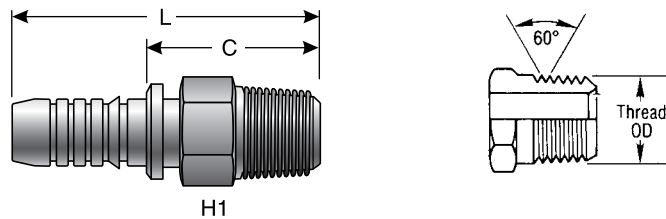
GlobalSpiral™ Couplings

Male Pipe (NPTF - 30° Cone Seat)



Descr.	Prod. No.	⊖		🌀	H1	H2	L		C		Weight Lbs.
		"	mm				"	mm	"	mm	
6GS-6MP	7347-20145	3/8	9.5	3/8-18	11/16	—	2.72	69.1	1.31	33.3	.10
6GS-8MP	7347-20155	3/8	9.5	1/2-14	7/8	—	2.87	72.9	1.46	37.1	.15
8GS-8MP	7347-20245	1/2	12.7	1/2-14	7/8	—	2.91	73.9	1.43	36.3	.11
8GS-12MP	7347-20265	1/2	12.7	3/4-14	1 1/16	—	3.03	77.0	1.56	39.6	.31
10GS-8MP	7347-20335	5/8	15.9	1/2-14	15/16	—	3.35	85.1	1.34	34.0	.26
10GS-12MP	7347-20355	5/8	15.9	3/4-14	1 1/8	—	3.58	90.9	1.60	40.6	.33
12GS-8MP	7347-20425	3/4	19.1	1/2-14	1 1/16	—	3.54	89.9	1.54	39.1	.35
12GS-12MP	7347-20445	3/4	19.1	3/4-14	1 1/16	—	3.54	89.9	1.54	39.1	.55
12GS-16MP	7347-20465	3/4	19.1	1-11 1/2	1 3/8	—	3.82	97.0	1.81	46.0	.57
16GS-12MP	7347-20535	1	25.4	3/4-14	1 3/8	—	3.98	101.1	1.74	44.2	.33
16GS-16MP	7347-20555	1	25.4	1-11 1/2	1 3/8	—	4.17	105.9	1.94	49.3	.53
16GS-20MP	7347-20565	1	25.4	1 1/4-11 1/2	1 3/4	—	4.29	109.0	2.06	52.3	.57
20GS-20MP	7347-20645	1 1/4	31.8	1 1/4-11 1/2	1 3/4	—	5.00	127.0	2.20	55.9	1.25
24GSP-24MP	7347-20725	1 1/2	38.1	1 1/2-11 1/2	2	—	5.24	133.1	2.34	59.4	.60
32GSP-32MP	7347-20795	2	50.8	2-11 1/2	2.50	—	6.05	153.7	2.43	61.7	2.30

Male Pipe (NPTF - 30° Cone Seat) - API Threads



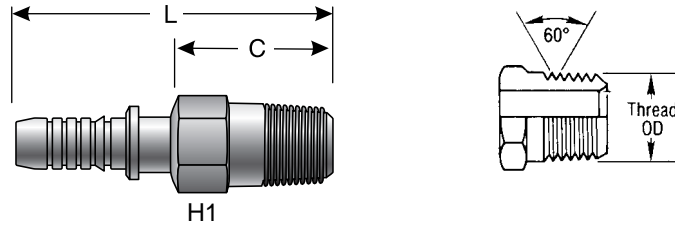
Descr.	Prod. No.	⊖		🌀	H1	H2	L		C		Weight Lbs.
		"	mm				"	mm	"	mm	
20GS-20MPAPI	7347-76955	1 1/4	31.8	1 1/4-11 1/2	1 3/4	—	5.51	140.0	2.70	68.6	1.35
24GSP-24MPAPI	7347-85665	1 1/2	38.1	1 1/2-11 1/2	2	—	5.45	138.4	2.65	67.3	2.25
32GSP-32MPAPI	7347-85415	2	50.8	2-11 1/2	2.50	—	7.90	200.7	4.28	108.7	3.87

EQUIPMENT
HOSE/CPLG. SELECTION
G8K COUPLINGS
GLOBALSPIRAL COUPLINGS
PCM/PCS FERRULES
MEGACRIMP COUPLINGS
STAINLESS STEEL
POWER CRIMP COUPLINGS
LOC, GL AND GLP COUPLINGS
POLARSEAL COUPLINGS
POLARSEAL II COUPLINGS
C14 COUPLINGS
PCTS THERMO-PLASTIC COUPLINGS
FIELD ATTACHABLE G1 AND G2 COUPLINGS
FIELD ATTACHABLE C5 AND C5E COUPLINGS
SURELOK AIR BRAKE COUPLINGS
ADAPTERS
QUICK DISCONNECT COUPLERS
LIVE SWIVEL
BALL VALVES
ACCESSORIES
EQUIPMENT AND PARTS



GlobalSpiral™ Couplings

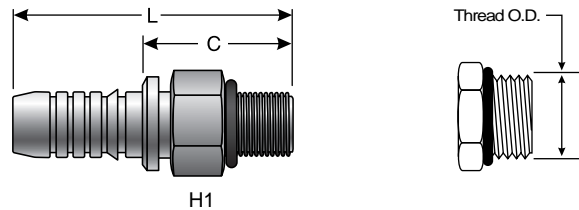
Male Pipe (NPTF - 30° Cone Seat) - Long Hex



Descr.	Prod. No.	⊖		🌀	H1	H2	L		C		Weight Lbs.
		"	mm		"	"	"	mm	"	mm	
16GS-16MPLH	7347-76545	1	25.4	1-11 1/2	1 3/8	—	5.16	131.1	2.92	74.2	.93
24GSP-24MPLHX	7347-20745	1 1/2	38.1	1 1/2-11 1/2	2.00	—	6.29	159.8	3.40	86.4	1.97

Male O-Ring Boss

SAE J1926/2 ISO 11926-2 Heavy Duty (S Series) Stud End.

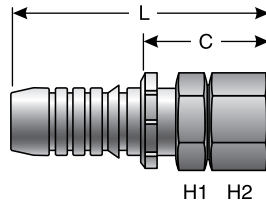


Descr.	Prod. No.	⊖		🌀	H1	H2	L		C		Weight Lbs.
		"	mm		"	"	"	mm	"	mm	
6GS-6MB	7347-21145	3/8	9.5	9/16-18	11/16	—	2.56	65.0	1.15	29.2	.11
8GS-8MB	7347-21245	1/2	12.7	3/4-16	7/8	—	2.76	70.1	1.26	32.0	.13
8GS-10MB	7347-21255	1/2	12.7	7/8-14	1	—	2.83	71.9	1.34	34.0	.15
10GS-10MB	7347-21345	5/8	15.9	7/8-14	1	—	3.46	87.9	1.48	37.6	.29
10GS-12MB	7347-21355	5/8	15.9	1 1/16-12	1 1/4	—	3.46	87.9	1.48	37.6	.40
12GS-12MB	7347-21445	3/4	19.1	1 1/16-12	1 1/4	—	3.66	93.0	1.65	41.9	.45
12GS-16MB	7347-21465	3/4	19.1	1 5/16-12	1 1/2	—	3.54	89.9	1.54	39.1	.60
16GS-12MB	7347-21535	1	25.4	1 1/16-12	1 3/8	—	3.98	101.1	1.74	44.2	.06
16GS-16MB	7347-21555	1	25.4	1 5/16-12	1 1/2	—	3.86	98.1	1.62	41.2	.64
16GS-20MB	7347-21565	1	25.4	1 5/8-12	1 7/8	—	4.53	115.1	1.62	41.2	.97
20GS-20MB	7347-21645	1 1/4	31.8	1 5/8-12	1 7/8	—	4.53	115.1	1.73	43.9	1.08

GlobalSpiral™ Couplings

Female MegaSeal® Swivel

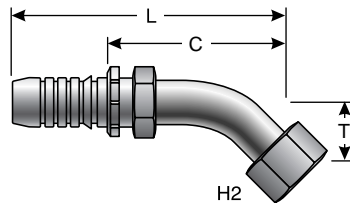
Gates High Performance Replacement for Female JIC Fittings - Connects to Standard Male JIC Termination.



Descr.	Prod. No.	⊖		🌀	H1	H2	L		C		Weight
		"	mm		"	"	"	mm	"	mm	Lbs.
12GS-12FMX	7347-69445	3/4	19.1	1 1/16-12	1 1/8	1 1/4	4.02	102.1	2.02	51.3	.51
12GS-16FMX	7347-69465	3/4	19.1	1 5/16-12	1 1/8	1 1/2	4.06	103.1	2.06	52.3	.62
16GS-16FMX	7347-69555	1	25.4	1 5/16-12	1 1/2	1 1/2	4.37	111.0	2.15	54.6	1.22
20GS-20FMX	7347-69645	1 1/4	31.8	1 5/8-12	1 7/8	2	5.36	136.1	2.56	65.0	1.69

Female MegaSeal® Swivel - 45° Bent Tube

Gates High Performance Replacement for Female JIC Fittings - Connects to Standard Male JIC Termination.



Descr.	Prod. No.	⊖		🌀	H1	H2	T	L		C		Weight	
		"	mm		"	"	"	mm	"	mm	"	mm	Lbs.
12GS-12FMX45-032	7347-73275	3/4	19.1	1 1/16-12	—	1 1/4	1.26	32.0	5.08	129.0	3.07	78.0	.68
16GS-16FMX45-038	7347-70555	1	25.4	1 5/16-12	—	1 1/2	1.50	38.1	6.26	159.0	4.04	102.6	1.33
20GS-20FMX45-041	7347-70645	1 1/4	31.8	1 5/8-12	—	2	1.61	40.9	7.47	189.7	4.67	118.6	2.47

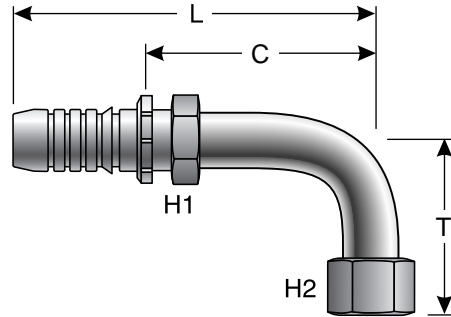
EQUIPMENT
HOSE/CPLG. SELECTION
G8K COUPLINGS
GLOBALSPIRAL COUPLINGS
PCM/PCS FERRULES
MEGACRIMP COUPLINGS
STAINLESS STEEL
POWER CRIMP COUPLINGS
LOC, GL AND GLP COUPLINGS
POLARSEAL COUPLINGS
POLARSEAL II COUPLINGS
C14 COUPLINGS
PCTS THERMO-PLASTIC COUPLINGS
FIELD ATTACHABLE G1 AND G2 COUPLINGS
FIELD ATTACHABLE C5 AND C5E COUPLINGS
SURELOK AIR BRAKE COUPLINGS
ADAPTERS
QUICK DISCONNECT COUPLERS
LIVE SWIVEL
BALL VALVES
ACCESSORIES
EQUIPMENT AND PARTS



GlobalSpiral™ Couplings

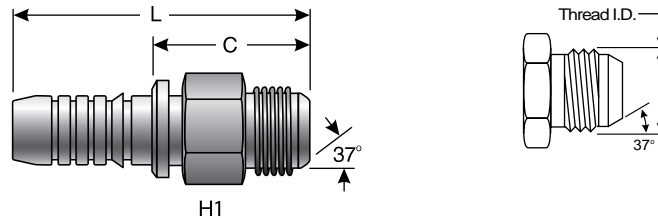
Female MegaSeal® Swivel - 90° Bent Tube

Gates High Performance Replacement for Female JIC Fittings - Connects to Standard Male JIC Termination.



Descr.	Prod. No.	⊖		🌀	H1	H2	T		L		C		Weight Lbs.
		"	mm		"	"	"	mm	"	mm	"	mm	
12GS-12FMX90-048	7347-71445	3/4	19.1	1 1/16-12	—	1 1/4	1.89	48.0	4.72	119.9	2.72	69.1	.70
12GS-12FMX90-058	7347-71395	3/4	19.1	1 1/16-12	—	1 1/4	2.28	57.9	4.72	119.9	2.72	69.1	.77
12GS-12FMX90-096	7347-71405	3/4	19.1	1 1/16-12	—	1 1/4	3.78	96.0	4.72	119.9	2.72	69.1	.90
12GS-16FMX90-056	7347-71465	3/4	19.1	1 5/16-12	—	1 1/2	2.20	55.9	5.39	136.9	3.39	86.1	1.23
16GS-16FMX90-056	7347-71555	1	25.4	1 5/16-12	—	1 1/2	2.20	55.9	5.67	144.0	3.45	87.6	1.26
16GS-16FMX90-071	7347-71505	1	25.4	1 5/16-12	—	1 1/2	2.80	71.1	5.67	144.0	3.45	87.6	1.39


Male JIC 37° Flare



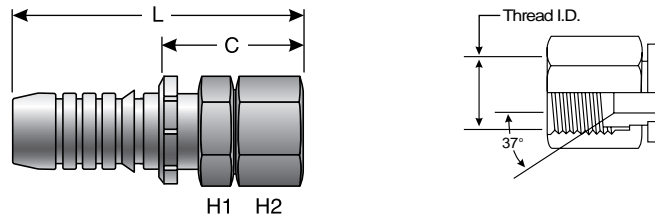
Descr.	Prod. No.	⊖		🌀	H1	H2	L		C		Weight Lbs.
		"	mm		"	"	"	mm	"	mm	
6GS-6MJ	7347-22145	3/8	9.5	9/16-18	11/16	—	2.60	66.0	1.19	30.2	.10
6GS-8MJ	7347-22155	3/8	9.5	3/4-16	13/16	—	2.76	70.1	1.35	34.3	.14
6GS-10MJ	7347-22165	3/8	9.5	7/8-14	15/16	—	3.03	77.0	1.62	41.2	.25
8GS-8MJ	7347-22245	1/2	12.7	3/4-16	13/16	—	2.83	71.9	1.36	34.5	.11
8GS-10MJ	7347-22255	1/2	12.7	7/8-14	7/8	—	2.95	74.9	1.48	37.6	.18
10GS-10MJ	7347-22345	5/8	15.9	7/8-14	15/16	—	3.62	92.0	1.64	41.7	.26
10GS-12MJ	7347-22355	5/8	15.9	1 1/16-12	1 1/16	—	3.70	94.0	1.72	43.7	.37
12GS-12MJ	7347-22445	3/4	19.1	1 1/16-12	1 1/8	—	3.66	93.0	1.65	41.9	.40
12GS-14MJ	7347-22455	3/4	19.1	1 3/16-12	1 1/4	—	3.70	94.0	1.69	42.9	.49
12GS-16MJ	7347-22465	3/4	19.1	1 5/16-12	1 5/16	—	3.78	96.0	1.77	45.0	.60
16GS-16MJ	7347-22555	1	25.4	1 5/16-12	1 3/8	—	4.09	103.9	1.86	47.2	.57
16GS-20MJ	7347-22585	1	25.4	1 5/8-12	1 3/4	—	4.27	108.5	2.04	51.8	.95
20GS-20MJ	7347-22645	1 1/4	31.8	1 5/8-12	1 3/4	—	4.92	125.0	2.12	53.9	1.28
24GSP-20MJ	7347-81455	1 1/2	38.1	1 5/8-12	1.97	—	5.00	127.0	2.10	53.3	1.22


GlobalSpiral™ Couplings

Male JIC 37° Flare - Cont'd

Descr.	Prod. No.	⊖			H1	H2	L		C		Weight
		"	mm				"	mm	"	mm	
24GSP-24MJ	7347-81465	1 1/2	38.1	1 7/8-12	1.97	—	5.12	130.1	2.22	56.4	1.28
32GSP-32MJ	7347-81535	2	50.8	2 1/2-12	2.56	—	6.34	161.0	2.72	69.1	2.67

Female JIC 37° Flare Swivel



Descr.	Prod. No.	⊖			H1	H2	L		C		Weight
		"	mm				"	mm	"	mm	
6GS-6FJX	7347-24145	3/8	9.5	9/16-18	3/4	3/4	2.72	69.1	1.31	33.3	.12
6GS-8FJX	7347-24155	3/8	9.5	3/4-16	3/4	7/8	2.80	71.1	1.39	35.3	.14
8GS-8FJX	7347-24245	1/2	12.7	3/4-16	7/8	7/8	2.83	71.9	1.36	34.5	.31
8GS-10FJX	7347-24255	1/2	12.7	7/8-14	7/8	1 1/16	2.99	76.0	1.51	38.4	.25
8GS-12FJX	7347-24265	1/2	12.7	1 1/16-12	7/8	1 1/4	3.03	77.0	1.56	39.6	.51
10GS-10FJXMM	7347-82175	5/8	15.9	7/8-14	1	1 1/16	3.68	93.5	1.70	43.2	.38
10GS-12FJX	7347-24355	5/8	15.9	1 1/16-12	1	1 1/4	3.74	95.0	1.76	44.7	.42
12GS-10FJX	7347-24435	3/4	19.1	7/8-14	1 1/16	1 1/8	3.87	98.3	1.87	47.5	.44
12GS-12FJX	7347-24445	3/4	19.1	1 1/16-12	1	1 1/4	3.87	98.3	1.86	47.2	.46
12GS-14FJX	7347-24455	3/4	19.1	1 3/16-12	1 1/8	1 3/8	4.06	103.1	2.06	52.3	.55
12GS-16FJX	7347-24465	3/4	19.1	1 5/16-12	1 1/4	1 1/2	4.02	102.1	2.01	51.1	.51
16GS-12FJX	7347-24535	1	25.4	1 1/16-12	1 3/8	1 3/8	4.25	108.0	2.00	50.8	.57
16GS-14FJX	7347-24545	1	25.4	1 3/16-12	1 3/8	1 1/2	4.25	108.0	2.01	51.1	.73
16GS-16FJX	7347-24555	1	25.4	1 5/16-12	1 1/2	1 1/2	4.30	109.2	2.07	52.6	.70
16GS-20FJX	7347-24565	1	25.4	1 5/8-12	1 1/2	2	4.53	115.1	2.31	58.7	1.20
20GS-16FJX	7347-24635	1 1/4	31.8	1 5/16-12	1 3/4	1 5/8	5.08	129.0	2.28	57.9	1.19
20GS-20FJX	7347-24645	1 1/4	31.8	1 5/8-12	1 7/8	2	5.29	134.4	2.56	65.0	1.39
20GS-24FJX	7347-24655	1 1/4	31.8	1 7/8-12	1 7/8	2 3/8	5.39	136.9	2.59	65.8	2.07
24GSP-24FJX	7347-82455	1 1/2	38.1	1 7/8-12	1.97	2.36	5.64	143.3	2.74	69.6	2.16
24GSP-32FJX	7347-82465	1 1/2	38.1	2 1/2-12	2.56	2.98	6.88	174.8	3.17	80.5	3.00
32GSP-32FJX	7347-82525	2	50.8	2 1/2-12	2.56	2.95	6.80	172.7	3.17	80.5	3.64

EQUIPMENT
HOSE/CPLG. SELECTION
G8K COUPLINGS
GLOBALSPIRAL COUPLINGS
PCM/PCS FERRULES
MEGACRIMP COUPLINGS
STAINLESS STEEL
POWER CRIMP COUPLINGS
LOC, GL AND GLP COUPLINGS
POLARSEAL COUPLINGS
POLARSEAL II COUPLINGS
C14 COUPLINGS
PCTS THERMO-PLASTIC COUPLINGS
FIELD ATTACHABLE G1 AND G2 COUPLINGS
FIELD ATTACHABLE C5 AND C5E COUPLINGS
SURELOK AIR BRAKE COUPLINGS
ADAPTERS
QUICK DISCONNECT COUPLERS
LIVE SWIVEL
BALL VALVES
ACCESSORIES
EQUIPMENT AND PARTS

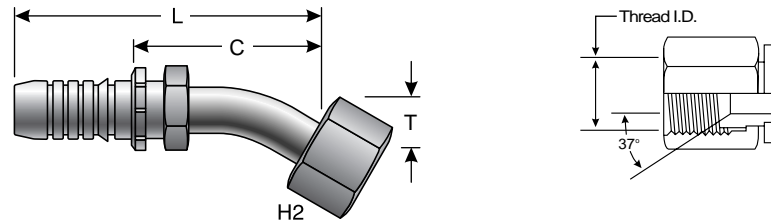




GlobalSpiral™ Couplings

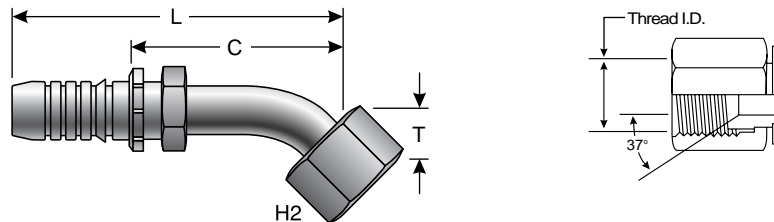
Female JIC 37° Flare Swivel - 30° Bent Tube

S, M and L Drops per ISO Final Draft International Standard 12151-S.



Descr.	Prod. No.	⌀		Thread	H1	H2	T		L		C		Weight
		"	mm		"	"	"	mm	"	mm	"	mm	Lbs.
16GS-16FJX30M	7347-73055	1	25.4	1 5/16-12	—	1 1/2	1.06	26.9	6.02	152.9	3.80	96.5	.95

Female JIC 37° Flare Swivel - 45° Bent Tube

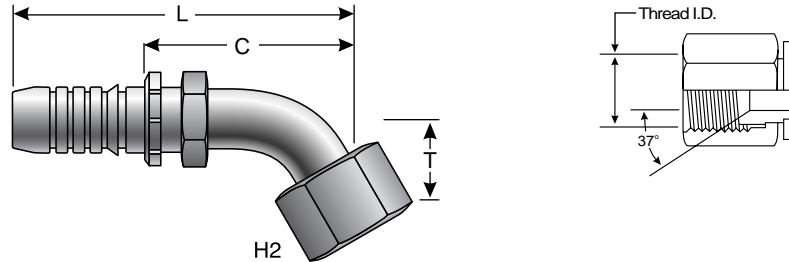


Descr.	Prod. No.	⌀		Thread	H1	H2	T		L		C		Weight
		"	mm		"	"	"	mm	"	mm	"	mm	Lbs.
6GS-6FJX45S	7347-25145	3/8	9.5	9/16-18	3/4	3/4	.43	10.9	3.23	82.0	1.82	46.2	.15
6GS-8FJX45S	7347-25155	3/8	9.5	3/4-16	3/4	7/8	.59	15.0	3.66	93.0	2.25	57.2	.18
8GS-8FJX45S	7347-25245	1/2	12.7	3/4-16	7/8	7/8	.59	15.0	3.70	94.0	2.22	56.4	.20
8GS-10FJX45S	7347-25255	1/2	12.7	7/8-14	7/8	1 1/16	.63	16.0	3.58	90.9	2.11	53.6	.24
10GS-10FJXMM45-018	7347-83275	5/8	15.9	7/8-14	—	1 1/16	.71	18.0	4.45	113.0	2.48	63.0	.48
10GS-12FJX45S	7347-25355	5/8	15.9	1 1/16-12	1	1 1/4	.83	21.1	4.80	121.9	2.82	71.6	.55
12GS-12FJX45S	7347-25445	3/4	19.1	1 1/16-12	—	1 1/4	.83	21.1	5.12	130.1	3.11	79.0	.66
12GS-16FJX45S	7347-25465	3/4	19.1	1 5/16-12	—	1 1/2	.94	23.9	5.39	136.9	3.39	86.1	.81
16GS-16FJX45M	7347-26555	1	25.4	1 5/16-12	—	1 1/2	1.50	38.1	6.30	160.0	4.07	103.4	.99
16GS-16FJX45S	7347-25555	1	25.4	1 5/16-12	1 1/2	1 1/2	.94	23.9	5.98	151.9	3.77	95.8	.95
16GS-20FJX45S	7347-25565	1	25.4	1 5/8-12	—	2	.98	24.9	6.46	164.1	4.23	107.4	1.65
20GS-20FJX45-038	7347-76175	1 1/4	31.8	1 5/8-12	—	2	1.50	38.1	7.09	180.1	4.29	109.0	2.02
24GSP-24FJX45-050	7347-83735	1 1/2	38.1	1 7/8-12	2.16	2.36	1.97	50.0	9.17	232.9	6.28	159.5	3.16



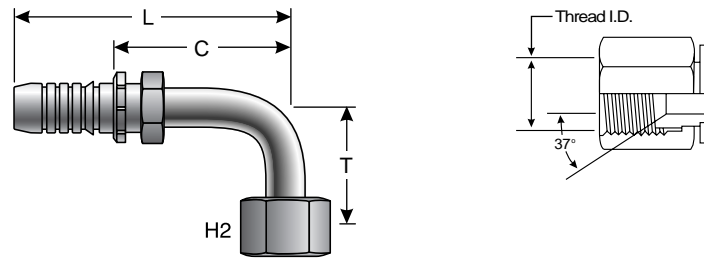
GlobalSpiral™ Couplings

Female JIC 37° Flare Swivel - 60° Bent Tube



Descr.	Prod. No.	⊖		🌀	H1	H2	T		L		C		Weight
		"	mm		"	"	"	mm	"	mm	"	mm	Lbs.
12GS-12FJX60-043	7347-76795	3/4	19.1	1 1/16-12	—	1 1/4	1.69	42.9	5.59	142.0	3.58	90.9	.07

Female JIC 37° Flare Swivel - 90° Bent Tube



Descr.	Prod. No.	⊖		🌀	H1	H2	T		L		C		Weight
		"	mm		"	"	"	mm	"	mm	"	mm	Lbs.
6GS-6FJX90L	7347-29145	3/8	9.5	9/16-18	3/4	3/4	2.13	54.1	3.39	86.1	1.98	50.3	.17
6GS-6FJX90S	7347-27145	3/8	9.5	9/16-18	3/4	3/4	.91	23.1	3.11	79.0	1.70	43.2	.15
6GS-6FJXMM90M	7347-84045	3/8	9.5	9/16-18	7/8	3/4	1.50	38.1	3.11	79.0	1.70	43.2	.09
6GS-8FJX90-083	7347-76785	3/8	9.5	3/4-16	3/4	7/8	3.27	83.1	3.58	90.9	2.17	55.1	.03
6GS-8FJX90M	7347-28155	3/8	9.5	3/4-16	3/4	7/8	1.61	40.9	3.58	90.9	2.17	55.1	.24
8GS-8FJX90L	7347-29245	1/2	12.7	3/4-16	7/8	7/8	2.52	64.0	3.62	92.0	2.15	54.6	.66
8GS-8FJX90M	7347-28245	1/2	12.7	3/4-16	7/8	7/8	1.61	40.9	3.62	92.0	2.15	54.6	.55
8GS-8FJX90S	7347-27245	1/2	12.7	3/4-16	7/8	7/8	1.14	29.0	3.39	86.1	1.91	48.5	.44
8GS-8FJX90XL	7347-73065	1/2	12.7	3/4-16	7/8	7/8	4.06	103.1	3.62	92.0	2.15	54.6	.40
8GS-10FJX90L	7347-29255	1/2	12.7	7/8-14	7/8	1 1/16	3.27	83.1	3.74	95.0	2.26	57.4	.46
8GS-10FJX90M	7347-28165	1/2	12.7	7/8-14	7/8	1 1/16	1.85	47.0	3.50	88.9	2.01	51.1	.35
8GS-10FJX90S	7347-27255	1/2	12.7	7/8-14	7/8	1 1/16	1.26	32.0	3.62	92.0	2.15	54.6	.29
8GS-12FJX90S	7347-27265	1/2	12.7	1 1/16-12	7/8	1 1/4	1.89	48.0	4.37	111.0	2.89	73.4	.46
10GS-10FJXMM90-036	7347-84275	5/8	15.9	7/8-14	—	1 1/16	1.42	36.1	4.37	111.0	1.70	43.2	.52
10GS-10FJXMM90M	7347-84285	5/8	15.9	7/8-14	1	1 1/16	1.85	47.0	4.21	106.9	2.23	56.6	.54
10GS-12FJX90M	7347-28355	5/8	15.9	1 1/16-12	1	1 1/4	2.28	57.9	4.76	120.9	2.78	70.6	.58
12GS-12FJX90L	7347-29445	3/4	19.1	1 1/16-12	—	1 1/4	3.78	96.0	4.45	113.0	2.44	62.0	.90
12GS-12FJX90M	7347-28445	3/4	19.1	1 1/16-12	—	1 1/4	2.28	57.9	4.45	113.0	2.44	62.0	.77
12GS-12FJX90S	7347-27445	3/4	19.1	1 1/16-12	—	1 1/4	1.89	48.0	4.45	113.0	2.44	62.0	.75
12GS-14FJX90-060	7347-28455	3/4	19.1	1 3/16-12	—	1 3/8	2.36	59.9	5.55	141.0	3.54	89.9	.92

EQUIPMENT
HOSE/CPLG. SELECTION
G8K COUPLINGS
GLOBALSPIRAL COUPLINGS
PCM/PCS FERRULES
MEGACRIMP COUPLINGS
STAINLESS STEEL
POWER CRIMP COUPLINGS
LOC, GL AND GLP COUPLINGS
POLARSEAL COUPLINGS
POLARSEAL II COUPLINGS
C14 COUPLINGS
PCTS THERMO-PLASTIC COUPLINGS
FIELD ATTACHABLE G1 AND G2 COUPLINGS
FIELD ATTACHABLE C5 AND C5E COUPLINGS
SURELOK AIR BRAKE COUPLINGS
ADAPTERS
QUICK DISCONNECT COUPLERS
LIVE SWIVEL
BALL VALVES
ACCESSORIES
EQUIPMENT AND PARTS



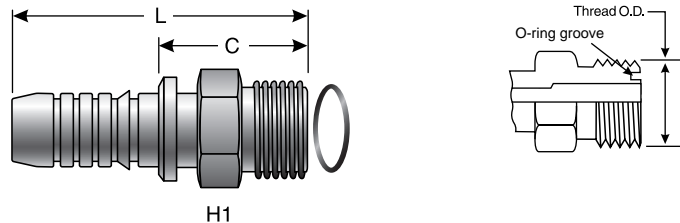
GlobalSpiral™ Couplings

Female JIC 37° Flare Swivel - 90° Bent Tube - Cont'd

Equip. Selection	Descr.	Prod. No.	⊖		H1	H2	T		L		C		Weight	
			"	mm			"	mm	"	mm	"	mm		
G8K COUPLINGS	12GS-16FJX90L	7347-29465	3/4	19.1	1 5/16-12	—	1 1/2	4.49	114.1	5.32	135.1	3.31	84.1	1.27
	12GS-16FJX90M	7347-28465	3/4	19.1	1 5/16-12	—	1 1/2	2.80	71.1	5.31	134.9	3.31	84.1	.92
GLOBALSPIRAL COUPLINGS	12GS-16FJX90S	7347-27465	3/4	19.1	1 5/16-12	—	1 1/2	2.20	55.9	5.31	134.9	3.31	84.1	.92
	16GS-16FJX90L	7347-29555	1	25.4	1 5/16-12	1 1/2	1 1/2	4.33	110.0	5.67	144.0	3.45	87.6	1.06
PCM/PCS FERRULES	16GS-16FJX90M	7347-28555	1	25.4	1 5/16-12	1 1/2	1 1/2	2.80	71.1	5.67	144.0	3.45	87.6	1.01
	16GS-16FJX90S	7347-27555	1	25.4	1 5/16-12	—	1 1/2	2.20	55.9	5.67	144.0	3.45	87.6	1.20
MEGACRIMP COUPLINGS	16GS-20FJX90L	7347-29565	1	25.4	1 5/8-12	1 1/2	2	5.08	129.0	6.06	153.9	3.84	97.5	2.54
	20GS-20FJX90L	7347-29645	1 1/4	31.8	1 5/8-12	—	2	5.08	129.0	6.85	174.0	4.05	102.9	3.18
STAINLESS STEEL	20GS-20FJX90M	7347-28645	1 1/4	31.8	1 5/8-12	—	2	3.07	78.0	6.85	174.0	4.05	102.9	2.80
	20GS-20FJX90S	7347-27645	1 1/4	31.8	1 5/8-12	—	2	2.52	64.0	6.85	174.0	4.05	102.9	2.61
POWER CRIMP COUPLINGS	20GS-24FJX90M	7347-28655	1 1/4	31.8	1 7/8-12	—	2 3/8	3.39	86.1	7.32	185.9	4.52	114.8	3.32
	24GSP-24FJX90-089	7347-84745	1 1/2	38.1	1 7/8-12	2.16	2.36	3.50	88.9	8.35	212.1	5.45	138.4	1.52
LOC, GL AND GLP COUPLINGS	24GSP-24FJX90-118	7347-84755	1 1/2	38.1	1 7/8-12	2.16	2.36	4.65	118.1	7.46	189.5	4.56	115.8	1.55
	32GSP-32FJX90M	7347-84785	2	50.8	2 1/2-12	2.56	2.95	5.51	140.0	10.71	272.0	7.07	179.6	6.44

Male Flat-Face O-Ring

Includes Peroxide-cured O-Ring
 Metric Hex per ISO Draft International Standard 12151-1.
 Utilizes SAE J1453 Captive O-Ring Groove for Improved O-Ring Retention.

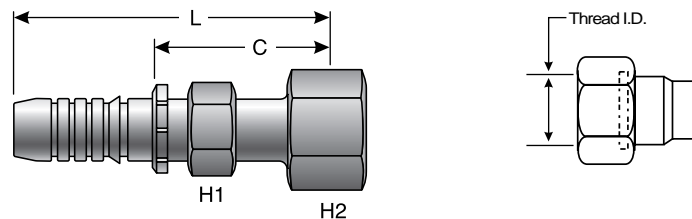


Equip. Selection	Descr.	Prod. No.	⊖		H1	H2	L		C		Weight	
			"	mm			"	mm	"	mm		
FIELD ATTACHABLE G1 AND G2 COUPLINGS	6GS-6MFFOR	7347-23865	3/8	9.5	11/16-16	19.0	—	2.52	64.0	1.11	28.2	.12
	8GS-8MFFOR	7347-23825	1/2	12.7	13/16-16	22.0	—	2.68	68.1	1.20	30.5	.20
FIELD ATTACHABLE C5 AND C5E COUPLINGS	8GS-10MFFOR	7347-23895	1/2	12.7	1-14	27.0	—	2.91	73.9	1.44	36.6	.13
	10GS-10MFFOR	7347-23875	5/8	15.9	1-14	27.0	—	3.42	86.9	1.44	36.6	.03
SURELOK AIR BRAKE COUPLINGS	10GS-12MFFOR	7347-23885	5/8	15.9	1 3/16-12	32.0	—	3.50	88.9	1.52	38.6	.45
	12GS-12MFFOR	7347-23835	3/4	19.1	1 3/16-12	32.0	—	3.50	88.9	1.50	38.1	.44
ADAPTERS	12GS-16MFFOR	7347-23845	3/4	19.1	1 7/16-12	41.0	—	3.74	95.0	1.73	43.9	.81
	16GS-16MFFOR	7347-23815	1	25.4	1 7/16-12	41.0	—	4.02	102.1	1.78	45.2	1.23
QUICK DISCONNECT COUPLERS	16GS-20MFFOR	7347-23925	1	25.4	1 11/16-12	50.0	—	4.70	119.4	1.78	45.2	1.08
	20GS-20MFFOR	7347-23855	1 1/4	31.8	1 11/16-12	50.0	—	4.72	119.9	1.93	49.0	1.19
LIVE SWIVEL	24GSP-24MFFOR	7347-23905	1 1/2	38.1	2-12	55.0	—	5.12	130.1	2.22	56.4	1.67

GlobalSpiral™ Couplings

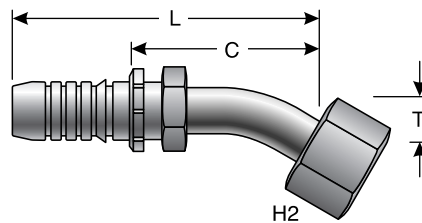
Female Flat-Face O-Ring Swivel

Metric Hex per ISO Draft International Standard 12151-1.
SAE J1453 O-Ring Face Seal.



Descr.	Prod. No.	⊖			H1	H2	L		C		Weight
		"	mm				"	mm	"	mm	
6GS-6FFORX	7347-30145	3/8	9.5	11/16-16	22.0	22.0	2.72	69.1	1.31	33.3	.15
6GS-8FFORX	7347-30155	3/8	9.5	13/16-16	22.0	24.0	2.83	71.9	1.43	36.3	.24
8GS-8FFORX	7347-30245	1/2	12.7	13/16-16	27.0	24.0	2.87	72.9	1.40	35.6	.15
8GS-10FFORX	7347-30255	1/2	12.7	1-14	27.0	30.0	3.07	78.0	1.59	40.4	.40
8GS-12FFORX	7347-30265	1/2	12.7	1 3/16-12	27.0	36.0	3.11	79.0	1.63	41.4	.44
10GS-10FFORX	7347-30345	5/8	15.9	1-14	30.0	30.0	3.70	94.0	1.72	43.7	.37
10GS-12FFORX	7347-30355	5/8	15.9	1 3/16-12	30.0	36.0	3.74	95.0	1.76	44.7	.56
12GS-10FFORX	7347-30435	3/4	19.1	1-14	32.0	30.0	3.82	97.0	1.81	46.0	.48
12GS-12FFORX	7347-30445	3/4	19.1	1 3/16-12	32.0	36.0	1.95	49.5	1.89	48.1	.64
12GS-16FFORX	7347-30465	3/4	19.1	1 7/16-12	32.0	41.0	4.06	103.1	2.05	52.1	.88
12GS-20FFORX	7347-30475	3/4	19.1	1 11/16-12	32.0	50.0	3.91	99.3	1.90	48.3	.91
16GS-12FFORX	7347-30535	1	25.4	1 3/16-12	36.0	36.0	5.15	130.8	2.92	74.2	.42
16GS-16FFORX	7347-30555	1	25.4	1 7/16-12	41.0	41.0	4.36	110.7	2.14	54.4	1.04
16GS-20FFORX	7347-30565	1	25.4	1 11/16-12	41.0	50.0	4.36	110.7	2.14	54.4	1.15
20GS-20FFORX	7347-30645	1 1/4	31.8	1 11/16-12	50.0	50.0	5.04	128.0	2.24	56.9	1.62
20GS-24FFORX	7347-30655	1 1/4	31.8	2-12	50.0	60.0	5.12	130.1	2.32	58.9	1.94
24GSP-24FFORX	7347-30725	1 1/2	38.1	2-12	55.0	2.0	5.17	131.3	2.37	60.2	1.93

Female Flat-Face O-Ring Swivel - 22½° Bent Tube



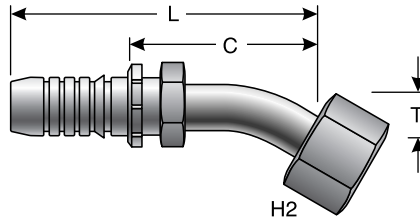
Descr.	Prod. No.	⊖			H1	H2	T		L		C		Weight
		"	mm				"	mm	"	mm	"	mm	
16GS-16FFORX22-011	7347-78615	1	25.4	1 7/16-12	—	41.0	.43	10.9	5.87	149.1	3.68	93.5	1.18

EQUIPMENT
HOSE/CPLG. SELECTION
G8K COUPLINGS
GLOBALSPIRAL COUPLINGS
PCM/PCS FERRULES
MEGACRIMP COUPLINGS
STAINLESS STEEL
POWER CRIMP COUPLINGS
LOC, GL AND GLP COUPLINGS
POLARSEAL COUPLINGS
POLARSEAL II COUPLINGS
C14 COUPLINGS
PCTS THERMO-PLASTIC COUPLINGS
FIELD ATTACHABLE G1 AND G2 COUPLINGS
FIELD ATTACHABLE C5 AND C5E COUPLINGS
SURELOK AIR BRAKE COUPLINGS
ADAPTERS
QUICK DISCONNECT COUPLERS
LIVE SWIVEL
BALL VALVES
ACCESSORIES
EQUIPMENT AND PARTS



GlobalSpiral™ Couplings

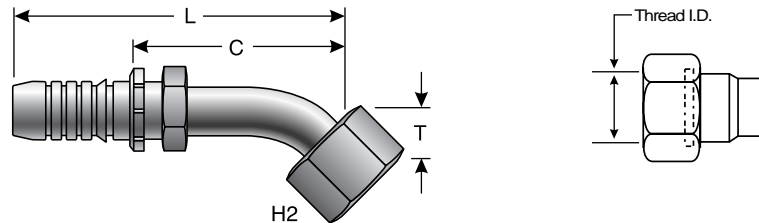
Female Flat-Face O-Ring Swivel - 30° Bent Tube



Descr.	Prod. No.	⌀		🌀	H1	H2	T		L		C		Weight
		"	mm		mm	mm	"	mm	"	mm	"	mm	Lbs.
16GS-16FFORX30-14	7347-76345	1	25.4	1 7/16-12	—	41.0	.55	14.0	5.87	149.1	3.64	92.5	.53

Female Flat-Face O-Ring Swivel - 45° Bent Tube

Metric Hex per ISO Draft International Standard 12151-1.
SAE J1453 O-Ring Face Seal.

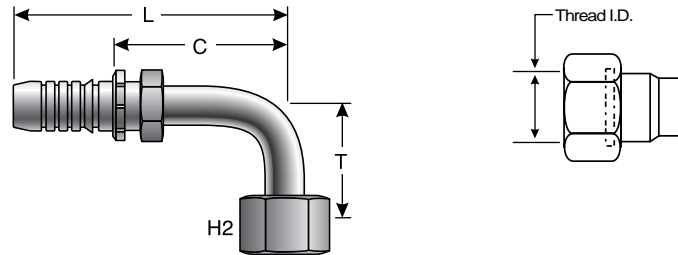


Descr.	Prod. No.	⌀		🌀	H1	H2	T		L		C		Weight
		"	mm		mm	mm	"	mm	"	mm	"	mm	Lbs.
6GS-6FFORX45S	7347-31145	3/8	9.5	11/16-16	—	22.0	.43	10.9	3.23	82.0	1.82	46.2	.17
6GS-8FFORX45S	7347-31155	3/8	9.5	13/16-16	—	24.0	.59	15.0	3.66	93.0	2.25	57.2	.27
8GS-8FFORX45S	7347-31245	1/2	12.7	13/16-16	—	24.0	.59	15.0	3.70	94.0	2.22	56.4	.28
8GS-10FFORX45S	7347-31255	1/2	12.7	1-14	—	30.0	.63	16.0	3.90	99.1	2.42	61.5	.03
8GS-12FFORX45S	7347-31265	1/2	12.7	1 3/16-12	—	36.0	.83	21.1	4.53	115.1	3.05	77.5	.06
10GS-10FFORX45S	7347-31345	5/8	15.9	1-14	—	30.0	.63	16.0	4.37	111.0	2.39	60.7	.43
12GS-12FFORX45S	7347-31445	3/4	19.1	1 3/16-12	—	36.0	.83	21.1	4.92	125.0	2.91	73.9	.75
12GS-16FFORX45S	7347-31465	3/4	19.1	1 7/16-12	—	24.0	.94	23.9	5.39	136.9	3.39	86.1	.93
16GS-16FFORX45S	7347-31555	1	25.4	1 7/16-12	—	24.0	.94	23.9	5.67	144.0	3.46	87.9	1.15
16GS-20FFORX45S	7347-31565	1	25.4	1 11/16-12	—	50.0	.98	24.9	6.46	164.1	4.24	107.7	1.45
20GS-20FFORX45-032	7347-76045	1 1/4	31.8	1 11/16-12	—	50.0	1.26	32.0	7.09	180.1	4.29	109.0	2.16
24GSP-24FFORX45-036	7347-31725	1 1/2	38.1	2-12	—	2.0	2.70	68.6	7.61	193.3	4.81	122.2	2.65

GlobalSpiral™ Couplings

Female Flat-Face O-Ring Swivel - 90° Bent Tube

Metric Hex per ISO Draft International Standard 12151-1.
SAE J1453 O-Ring Face Seal.



Descr.	Prod. No.	⌀		🌀	H1	H2	T		L		C		Weight Lbs.
		"	mm		mm	mm	"	mm	"	mm	"	mm	
6GS-6FFORX90L	7347-34145	3/8	9.5	11/16-16	—	22.0	2.13	54.1	3.35	85.1	1.94	49.3	.19
6GS-6FFORX90S	7347-32145	3/8	9.5	11/16-16	—	22.0	.91	23.1	3.07	78.0	1.66	42.2	.17
6GS-8FFORX90M	7347-33155	3/8	9.5	13/16-16	—	24.0	1.61	40.9	3.35	85.1	1.94	49.3	.30
8GS-8FFORX90-083	7347-73845	1/2	12.7	13/16-16	—	24.0	1.61	40.9	3.39	86.1	1.91	48.5	.33
8GS-8FFORX90M	7347-33245	1/2	12.7	13/16-16	—	24.0	1.61	40.9	3.39	86.1	1.91	48.5	.26
8GS-8FFORX90S	7347-32245	1/2	12.7	13/16-16	—	24.0	1.14	29.0	3.39	86.1	1.91	48.5	.30
8GS-10FFORX90L	7347-34255	1/2	12.7	1-14	—	30.0	2.76	70.1	3.98	101.1	2.50	63.5	.05
8GS-10FFORX90M	7347-33255	1/2	12.7	1-14	—	30.0	1.85	47.0	3.98	101.1	2.50	63.5	.75
8GS-10FFORX90S	7347-32255	1/2	12.7	1-14	—	30.0	1.26	32.0	3.98	101.1	2.50	63.5	.03
8GS-12FFORX90S	7347-32265	1/2	12.7	1 3/16-12	—	36.0	1.89	48.0	4.21	106.9	2.74	69.6	.66
10GS-10FFORX90L	7347-34345	5/8	15.9	1-14	—	30.0	2.76	70.1	4.45	113.0	2.44	62.0	.57
10GS-10FFORX90M	7347-33345	5/8	15.9	1-14	—	30.0	1.85	47.0	4.21	106.9	2.20	55.9	.49
10GS-10FFORX90S	7347-32345	5/8	15.9	1-14	—	30.0	1.26	32.0	4.20	106.7	2.22	56.4	.43
10GS-12FFORXMM90S-048	7347-32355	5/8	15.9	1 3/16-12	—	36.0	1.26	32.0	4.21	106.9	2.74	69.6	.07
12GS-10FFORX90S	7347-32435	3/4	19.1	1-14	—	30.0	1.26	32.0	4.37	111.0	2.36	59.9	.62
12GS-12FFORX90L	7347-34445	3/4	19.1	1 3/16-12	—	36.0	3.78	96.0	5.04	128.0	3.03	77.0	1.14
12GS-12FFORX90M	7347-33445	3/4	19.1	1 3/16-12	—	36.0	2.28	57.9	5.04	128.0	3.03	77.0	.92
12GS-12FFORX90S	7347-32445	3/4	19.1	1 3/16-12	—	36.0	1.89	48.0	5.04	128.0	3.03	77.0	.88
12GS-16FFORX90L	7347-34465	3/4	19.1	1 7/16-12	—	41.0	4.49	114.1	5.39	136.9	3.39	86.1	1.32
12GS-16FFORX90M	7347-33465	3/4	19.1	1 7/16-12	—	41.0	2.80	71.1	5.39	136.9	3.39	86.1	1.10
12GS-16FFORX90S	7347-32465	3/4	19.1	1 7/16-12	—	41.0	2.20	55.9	5.39	136.9	3.39	86.1	1.05
16GS-16FFORX90L	7347-34555	1	25.4	1 7/16-12	—	41.0	4.49	114.1	5.67	144.0	3.45	87.6	1.66
16GS-16FFORX90M	7347-33555	1	25.4	1 7/16-12	—	41.0	2.80	71.1	5.67	144.0	3.45	87.6	1.55
16GS-16FFORX90S	7347-32555	1	25.4	1 7/16-12	—	41.0	2.20	55.9	5.67	144.0	3.45	87.6	1.35
16GS-20FFORX90L	7347-34565	1	25.4	1 11/16-12	—	50.0	5.08	129.0	6.05	153.7	3.83	97.3	2.11
16GS-20FFORX90M	7347-33565	1	25.4	1 11/16-12	—	50.0	3.07	78.0	6.05	153.7	3.83	97.3	1.89
16GS-20FFORX90S	7347-32565	1	25.4	1 11/16-12	—	50.0	2.52	64.0	6.06	153.9	3.84	97.5	1.78
20GS-20FFORX90L	7347-34645	1 1/4	31.8	1 11/16-12	—	50.0	5.08	129.0	6.77	172.0	3.97	100.8	2.86
20GS-20FFORX90M	7347-33645	1 1/4	31.8	1 11/16-12	—	50.0	3.07	78.0	6.77	172.0	3.97	100.8	2.46
20GS-20FFORX90S	7347-32645	1 1/4	31.8	1 11/16-12	—	50.0	2.52	64.0	6.77	172.0	3.97	100.8	2.35
20GS-24FFORX90-064	7347-76985	1 1/4	31.8	2-12	—	60.0	2.52	64.0	6.77	172.0	3.97	100.8	2.82
24GSP-24FFORX90L	7347-34725	1 1/2	38.1	2-12	—	2.0	5.54	140.7	7.61	193.3	4.81	122.2	3.11
24GSP-24FFORX90M	7347-33725	1 1/2	38.1	2-12	—	2.0	3.41	86.6	7.61	193.3	4.81	122.2	2.75

EQUIPMENT
HOSE/CPLG. SELECTION
G8K COUPLINGS
GLOBALSPIRAL COUPLINGS
PCM/PCS FERRULES
MEGACRIMP COUPLINGS
STAINLESS STEEL
POWER CRIMP COUPLINGS
LOC, GL AND GLP COUPLINGS
POLARSEAL COUPLINGS
POLARSEAL II COUPLINGS
C14 COUPLINGS
PCTS THERMO-PLASTIC COUPLINGS
FIELD ATTACHABLE G1 AND G2 COUPLINGS
FIELD ATTACHABLE C5 AND C5E COUPLINGS
SURELOK AIR BRAKE COUPLINGS
ADAPTERS
QUICK DISCONNECT COUPLERS
LIVE SWIVEL
BALL VALVES
ACCESSORIES
EQUIPMENT AND PARTS

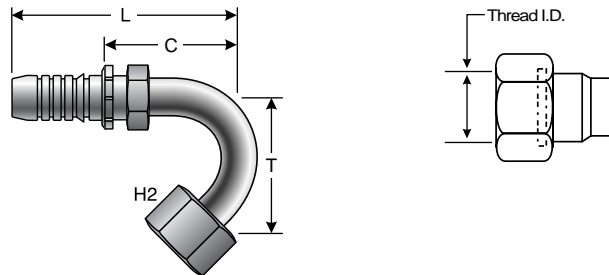




GlobalSpiral™ Couplings

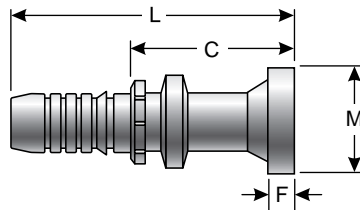
Female Flat-Face O-Ring Swivel - 135° Bent Tube

Metric Hex per ISO Draft International Standard 12151-1.
SAE J1453 O-Ring Face Seal.



Descr.	Prod. No.	⊖			H1	H2	T		L		C		Weight
		"	mm		mm	mm	"	mm	"	mm	"	mm	Lbs.
12GS-16FFORX135	7347-73795	3/4	19.1	1 7/16-12	—	24.0	2.99	76.0	3.39	86.1	1.48	37.6	1.17

Code 61 Flange Without O-Ring Groove



Descr.	Prod. No.	⊖		M		L		C		F		Weight
		"	mm	"	mm	"	mm	"	mm	"	mm	Lbs.
24GSP-24FLFF	7347-85655	1 1/2	38.1	2.38	60.5	6.02	152.9	3.12	79.3	.32	8.1	1.78

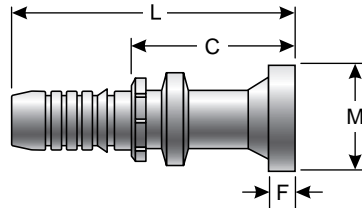
EQUIPMENT
HOSE/CPLG. SELECTION
G8K COUPLINGS
GLOBALSPIRAL COUPLINGS
PCM/PCS FERRULES
MEGACRIMP COUPLINGS
STAINLESS STEEL
POWER CRIMP COUPLINGS
LOC, GL AND GLP COUPLINGS
POLARSEAL COUPLINGS
POLARSEAL II COUPLINGS
C14 COUPLINGS
PCTS THERMO-PLASTIC COUPLINGS
FIELD ATTACHABLE G1 AND G2 COUPLINGS
FIELD ATTACHABLE C5 AND C5E COUPLINGS
SURELOK AIR BRAKE COUPLINGS
ADAPTERS
QUICK DISCONNECT COUPLERS
LIVE SWIVEL
BALL VALVES
ACCESSORIES
EQUIPMENT AND PARTS



GlobalSpiral™ Couplings

Code 61 O-Ring Flange

-8FL, -12FL, -16FL Max. W.P. 5,000 psi; -20FL Max. W.P. 4,000 psi; -24FL Max. W.P. 3,000 psi; -32FL Max. W.P. 3,000 psi, -40FL Max. W.P. 2,500 psi.
See Accessories for O-Rings.



Descr.	Prod. No.	⊖		M		L		C		F		Weight Lbs.
		"	mm	"	mm	"	mm	"	mm	"	mm	
6GS-8FL	7347-41155	3/8	9.5	1.19	30.2	3.54	89.9	2.13	54.1	.27	6.9	.22
8GS-8FL	7347-41245	1/2	12.7	1.19	30.2	3.66	93.0	2.19	55.6	.27	6.9	.18
8GS-12FL	7347-41265	1/2	12.7	1.50	38.1	3.86	98.1	2.38	60.5	.27	6.9	.18
8GS-16FL	7347-41285	1/2	12.7	1.75	44.5	2.84	72.1	1.37	34.8	.32	8.1	.46
10GS-12FL	7347-41355	5/8	15.9	1.50	38.1	4.29	109.0	2.31	58.7	.27	6.9	.42
12GS-8FL	7347-41425	3/4	19.1	1.19	30.2	4.41	112.0	2.40	61.0	.27	6.9	.03
12GS-12FL	7347-41445	3/4	19.1	1.50	38.1	4.37	111.0	2.36	59.9	.27	6.9	.53
12GS-16FL	7347-41465	3/4	19.1	1.75	44.5	4.37	111.0	2.36	59.9	.32	8.1	.53
12GS-20FL	7347-41475	3/4	19.1	2.00	50.8	4.37	111.0	2.36	59.9	.32	8.1	.64
16GS-12FL	7347-41535	1	25.4	1.50	38.1	4.65	118.1	2.40	61.0	.27	6.9	.60
16GS-16FL	7347-41555	1	25.4	1.75	44.5	4.92	125.0	2.70	68.6	.32	8.1	.88
16GS-20FL	7347-41565	1	25.4	2.00	50.8	4.92	125.0	2.69	68.3	.32	8.1	.75
16GS-24FL	7347-41575	1	25.4	2.38	60.5	4.92	125.0	1.90	48.3	.32	8.1	1.11
20GS-16FL	7347-41635	1 1/4	31.8	1.75	44.5	5.35	135.9	2.55	64.8	.32	8.1	1.17
20GS-20FL	7347-41645	1 1/4	31.8	2.00	50.8	5.75	146.1	2.95	74.9	.32	8.1	1.51
20GS-24FL	7347-41655	1 1/4	31.8	2.38	60.5	6.30	160.0	3.50	88.9	.32	8.1	1.72
20GS-32FL	7347-41665	1 1/4	31.8	2.81	71.4	5.71	145.0	2.91	73.9	.38	9.7	.17
24GSP-20FL	7347-41715	1 1/2	38.1	2.00	50.8	5.74	145.8	2.85	72.4	.31	7.9	1.51
24GSP-24FL	7347-41725	1 1/2	38.1	2.38	60.5	6.02	152.9	3.12	79.3	.32	8.1	1.98
24GSP-32FL	7347-41735	1 1/2	38.1	2.81	71.4	5.79	147.1	2.99	76.0	.38	9.7	2.05
32GSP-24FL	7347-41785	2	50.8	2.38	60.5	6.53	165.9	2.49	63.3	.32	8.1	2.50
32GSP-32FL	7347-41795	2	50.8	2.81	71.4	6.27	159.3	2.65	67.3	.38	9.7	2.56
32GSP-40FL	7347-41805	2	50.8	3.31	84.1	8.52	216.4	2.99	76.0	.38	9.7	2.87

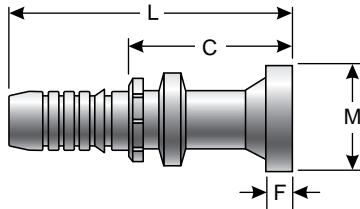
EQUIPMENT
HOSE/CPLG. SELECTION
G8K COUPLINGS
GLOBALSPIRAL COUPLINGS
PCM/PCS FERRULES
MEGACRIMP COUPLINGS
STAINLESS STEEL
POWER CRIMP COUPLINGS
LOC, GL AND GLP COUPLINGS
POLARSEAL COUPLINGS
POLARSEAL II COUPLINGS
C14 COUPLINGS
PCTS THERMO-PLASTIC COUPLINGS
FIELD ATTACHABLE G1 AND G2 COUPLINGS
FIELD ATTACHABLE C5 AND C5E COUPLINGS
SURELOK AIR BRAKE COUPLINGS
ADAPTERS
QUICK DISCONNECT COUPLERS
LIVE SWIVEL
BALL VALVES
ACCESSORIES
EQUIPMENT AND PARTS



GlobalSpiral™ Couplings

Code 61 O-Ring Flange Long Neck

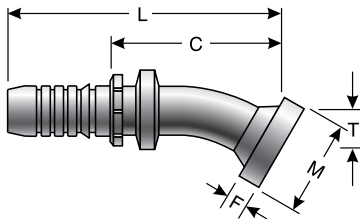
-8FL, -12FL, -16FL Max. W.P. 5,000 psi; -20FL Max. W.P. 4,000 psi; -24FL Max. W.P. 3,000 psi; -32FL Max. W.P. 3,000 psi, -40FL Max. W.P. 2,500 psi.
S, M and L Drops per ISO Final Draft International Standard 12151-3.
See Accessories for O-Rings.



Descr.	Prod. No.	⊖		M		L		C		F		Weight
		"	mm	"	mm	"	mm	"	mm	"	mm	Lbs.
12GS-12FLL	7347-41455	3/4	19.1	1.50	38.1	5.20	132.1	3.19	81.0	.27	6.9	.60
16GS-16FLL	7347-41545	1	25.4	1.75	44.5	5.63	143.0	3.41	86.6	.32	8.1	1.11
20GS-20FLL	7347-41675	1 1/4	31.8	2.00	50.8	6.26	159.0	3.46	87.9	.32	8.1	1.60

Code 61 O-Ring Flange - 22½° Bent Tube

-8FL, -12FL, -16FL Max. W.P. 5,000 psi; -20FL Max. W.P. 4,000 psi; -24FL Max. W.P. 3,000 psi; -32FL Max. W.P. 3,000 psi, -40FL Max. W.P. 2,500 psi.
S, M and L Drops per ISO Final Draft International Standard 12151-3.
See Accessories for O-Rings.



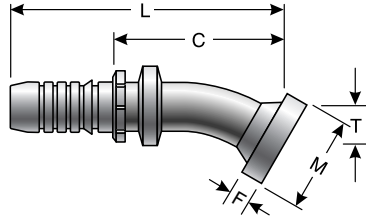
Descr.	Prod. No.	⊖		M		T		L		C		F		Weight
		"	mm	"	mm	"	mm	"	mm	"	mm	"	mm	Lbs.
8GS-8FL22M	7347-42245	1/2	12.7	1.19	30.2	.35	8.9	3.78	96.0	2.30	58.4	.27	6.9	.24
12GS-12FL22M	7347-42445	3/4	19.1	1.50	38.1	.43	10.9	5.16	131.1	3.15	80.0	.27	6.9	.55
12GS-16FL22M	7347-42465	3/4	19.1	1.75	44.5	.55	14.0	5.24	133.1	3.23	82.0	.32	8.1	.68
16GS-16FL22M	7347-42555	1	25.4	1.75	44.5	.55	14.0	6.10	154.9	3.87	98.3	.32	8.1	1.06
16GS-20FL22M	7347-42565	1	25.4	2.00	50.8	.59	15.0	6.61	167.9	4.37	111.0	.32	8.1	.81
20GS-20FL22M	7347-42645	1 1/4	31.8	2.00	50.8	.59	15.0	7.01	178.1	4.21	106.9	.32	8.1	1.58
20GS-24FL22M	7347-42655	1 1/4	31.8	2.38	60.5	.71	18.0	7.32	185.9	4.52	114.8	.32	8.1	2.09
24GSP-24FL22M	7347-42725	1 1/2	38.1	2.38	60.5	.71	18.0	8.31	211.0	5.41	137.4	.32	8.1	2.58
24GSP-32FL22M	7347-42735	1 1/2	38.1	2.81	71.4	.87	22.1	8.43	214.1	8.43	214.1	.38	9.7	2.91
32GSP-32FL22M	7347-42795	2	50.8	2.81	71.4	.97	24.6	10.83	275.1	8.43	214.1	.38	9.7	4.91

GlobalSpiral™ Couplings

Code 61 O-Ring Flange - 30° Bent Tube

-8FL, -12FL, -16FL Max. W.P. 5,000 psi; -20FL Max. W.P. 4,000 psi; -24FL Max. W.P. 3,000 psi; -32FL Max. W.P. 3,000 psi, -40FL Max. W.P. 2,500 psi.

S, M and L Drops per ISO Final Draft International Standard 12151-3.
See Accessories for O-Rings.

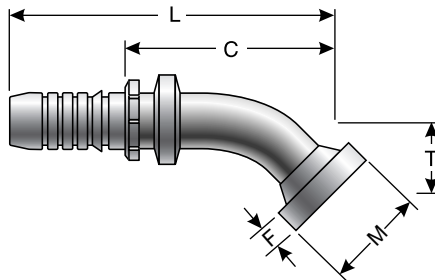


Descr.	Prod. No.	⊖		M		T		L		C		F		Weight Lbs.
		"	mm	"	mm	"	mm	"	mm	"	mm	"	mm	
8GS-12FL30M	7347-43265	1/2	12.7	1.50	38.1	.63	16.0	3.94	100.1	2.46	62.5	.27	6.9	.35
12GS-12FL30M	7347-43445	3/4	19.1	1.50	38.1	.63	16.0	5.08	129.0	3.07	78.0	.27	6.9	.55
12GS-16FL30M	7347-43465	3/4	19.1	1.75	44.5	.75	19.1	4.76	120.9	2.76	70.1	.32	8.1	.66
16GS-16FL30M	7347-43555	1	25.4	1.75	44.5	.75	19.1	6.02	152.9	3.80	96.5	.32	8.1	1.06
16GS-20FL30M	7347-43565	1	25.4	2.00	50.8	.87	22.1	6.54	166.1	4.29	109.0	.32	8.1	.81
20GS-20FL30M	7347-43645	1 1/4	31.8	2.00	50.8	.87	22.1	6.93	176.0	4.13	104.9	.32	8.1	1.58
20GS-24FL30M	7347-43655	1 1/4	31.8	2.38	60.5	1.18	30.0	7.17	182.1	4.37	111.0	.32	8.1	2.05
24GSP-24FL30S	7347-43725	1 1/2	38.1	2.38	60.5	.98	24.9	8.23	209.0	5.31	134.9	.32	8.1	2.55
24GSP-32FL30M	7347-43735	1 1/2	38.1	2.81	71.4	1.26	32.0	8.27	210.1	5.39	136.9	.38	9.7	2.90
32GSP-32FL30M	7347-43795	2	50.8	2.81	71.4	1.25	31.8	10.70	271.8	7.10	180.3	.38	9.7	4.95

Code 61 O-Ring Flange - 45° Bent Tube

-8FL, -12FL, -16FL Max. W.P. 5,000 psi; -20FL Max. W.P. 4,000 psi; -24FL Max. W.P. 3,000 psi; -32FL Max. W.P. 3,000 psi, -40FL Max. W.P. 2,500 psi.

S, M and L Drops per ISO Final Draft International Standard 12151-3.
See Accessories for O-Rings.



Descr.	Prod. No.	⊖		M		T		L		C		F		Weight Lbs.
		"	mm	"	mm	"	mm	"	mm	"	mm	"	mm	
6GS-8FL45M	7347-44155	3/8	9.5	1.19	30.2	.75	19.1	3.66	93.0	2.25	57.2	.27	6.9	.26
8GS-8FL45M	7347-44245	1/2	12.7	1.19	30.2	.75	19.1	3.70	94.0	2.22	56.4	.27	6.9	.29
8GS-12FL45M	7347-44265	1/2	12.7	1.50	38.1	1.02	25.9	3.98	101.1	2.50	63.5	.27	6.9	.38
10GS-12FL45M	7347-44355	5/8	15.9	1.50	38.1	1.02	25.9	5.00	127.0	3.02	76.7	.27	6.9	.53

EQUIPMENT

HOSE/CPLG.
SELECTION

G8K
COUPLINGS

GLOBALSPIRAL
COUPLINGS

PCM/PCS
FERRULES

MEGACRIMP
COUPLINGS

STAINLESS
STEEL

POWER
CRIMP
COUPLINGS

LOC, GL AND
GLP
COUPLINGS

POLARSEAL
COUPLINGS

POLARSEAL II
COUPLINGS

C14
COUPLINGS

PCTS
THERMO-
PLASTIC
COUPLINGS

FIELD
ATTACHABLE
G1 AND G2
COUPLINGS

FIELD
ATTACHABLE
C5 AND C5E
COUPLINGS

SURELOK AIR
BRAKE
COUPLINGS

ADAPTERS

QUICK
DISCONNECT
COUPLERS

LIVE SWIVEL

BALL VALVES

ACCESSORIES

EQUIPMENT
AND PARTS



Powering Progress.

gates.com/hydraulics

E15



GlobalSpiral™ Couplings

Code 61 O-Ring Flange - 45° Bent Tube - Cont'd

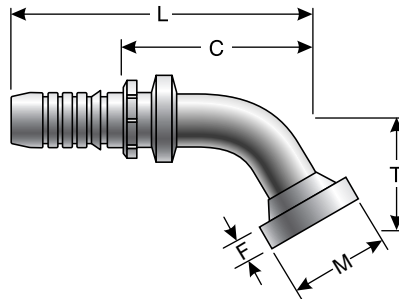
Descr.	Prod. No.	⊖		M		T		L		C		F		Weight
		"	mm	"	mm	"	mm	"	mm	"	mm	"	mm	Lbs.
12GS-12FL45M	7347-44445	3/4	19.1	1.50	38.1	1.02	25.9	4.88	124.0	2.87	72.9	.27	6.9	.53
12GS-16FL45S	7347-73135	3/4	19.1	1.75	44.5	1.10	27.9	4.96	126.0	2.95	74.9	.32	8.1	.68
16GS-16FL45M	7347-44555	1	25.4	1.75	44.5	1.26	32.0	5.79	147.1	3.57	90.7	.32	8.1	1.06
16GS-20FL45M	7347-44565	1	25.4	2.00	50.8	1.50	38.1	6.22	158.0	3.97	100.8	.32	8.1	.84
20GS-16FL45M	7347-44635	1 1/4	31.8	1.75	44.5	1.26	32.0	6.42	163.1	3.62	92.0	.32	8.1	1.37
20GS-20FL45S	7347-73565	1 1/4	31.8	2.00	50.8	1.26	32.0	6.69	169.9	3.89	98.8	.32	8.1	1.60
20GS-24FL45S	7347-73575	1 1/4	31.8	2.38	60.5	1.50	38.1	6.93	176.0	4.13	104.9	.32	8.1	2.10
24GSP-20FL45S	7347-44715	1 1/2	38.1	2.00	50.8	1.26	32.0	7.09	180.1	4.49	114.1	.32	8.1	2.06
24GSP-24FL45S	7347-44725	1 1/2	38.1	2.38	60.5	1.50	38.1	7.95	201.9	5.05	128.3	.32	8.1	2.60
24GSP-32FL45S	7347-44735	1 1/2	38.1	2.81	71.4	2.05	52.1	7.87	199.9	4.97	126.2	.38	9.7	2.89
32GSP-24FL45S	7347-44785	2	50.8	2.38	60.5	1.50	38.1	8.10	205.8	4.48	113.8	.32	8.1	3.05
32GSP-32FL45-066	7347-44805	2	50.8	2.81	71.4	2.60	66.0	10.12	257.1	6.50	165.1	.38	9.7	4.92

Code 61 O-Ring Flange - 60° Bent Tube

-8FL, -12FL, -16FL Max. W.P. 5,000 psi; -20FL Max. W.P. 4,000 psi; -24FL Max. W.P. 3,000 psi; -32FL Max. W.P. 3,000 psi, -40FL Max. W.P. 2,500 psi.

S, M and L Drops per ISO Final Draft International Standard 12151-3.

See Accessories for O-Rings.



Descr.	Prod. No.	⊖		M		T		L		C		F		Weight
		"	mm	"	mm	"	mm	"	mm	"	mm	"	mm	Lbs.
8GS-8FL60M	7347-45245	1/2	12.7	1.19	30.2	1.06	26.9	4.09	103.9	2.62	66.6	.27	6.9	.57
12GS-12FL60M	7347-45445	3/4	19.1	1.50	38.1	1.46	37.1	5.39	136.9	3.39	86.1	.27	6.9	.73
12GS-16FL60M	7347-45465	3/4	19.1	1.75	44.5	1.73	43.9	5.35	135.9	3.35	85.1	.32	8.1	.77
16GS-16FL60M	7347-45555	1	25.4	1.75	44.5	1.73	43.9	6.18	157.0	3.97	100.8	.32	8.1	1.22
16GS-20FL60M	7347-45565	1	25.4	2.00	50.8	2.17	55.1	6.18	157.0	3.94	100.1	.32	8.1	.88
20GS-20FL60M	7347-45645	1 1/4	31.8	2.00	50.8	2.17	55.1	7.36	186.9	4.56	115.8	.32	8.1	1.89
20GS-24FL60M	7347-45655	1 1/4	31.8	2.38	60.5	2.52	64.0	7.68	195.1	4.88	124.0	.32	8.1	2.49
24GSP-24FL60S	7347-45725	1 1/2	38.1	2.38	60.5	2.08	52.8	9.09	230.9	6.20	157.5	.32	8.1	3.03
24GSP-32FL60S	7347-45735	1 1/2	38.1	2.81	71.4	2.95	74.9	9.21	233.9	6.30	160.0	.38	9.7	3.50
32GSP-32FL60S	7347-45805	2	50.8	2.81	71.4	2.95	74.9	10.20	259.1	6.56	166.6	.38	9.7	5.11

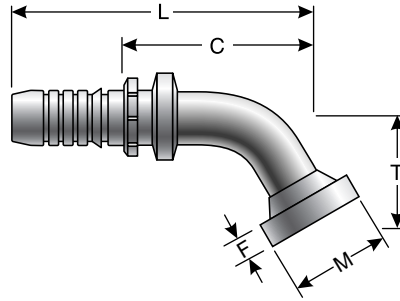


GlobalSpiral™ Couplings

Code 61 O-Ring Flange - 67½° Bent Tube

-8FL, -12FL, -16FL Max. W.P. 5,000 psi; -20FL Max. W.P. 4,000 psi; -24FL Max. W.P. 3,000 psi; -32FL Max. W.P. 3,000 psi; -40FL Max. W.P. 2,500 psi.

S, M and L Drops per ISO Final Draft International Standard 12151-3.
See Accessories for O-Rings.



Descr.	Prod. No.	Ø		M		T		L		C		F		Weight Lbs.
		"	mm	"	mm	"	mm	"	mm	"	mm	"	mm	
8GS-12FL67-032	7347-78025	1/2	12.7	1.50	38.1	1.26	32.0	3.70	94.0	2.21	56.1	.27	6.9	.36
12GS-12FL67M	7347-46445	3/4	19.1	1.50	38.1	1.65	41.9	5.20	132.1	3.19	81.0	.27	6.9	.73
12GS-16FL67M	7347-46465	3/4	19.1	1.75	44.5	2.01	51.1	5.08	129.0	3.07	78.0	.32	8.1	.75
16GS-16FL67M	7347-46555	1	25.4	1.75	44.5	2.01	51.1	5.94	150.9	3.71	94.2	.32	8.1	1.22
16GS-20FL67M	7347-46565	1	25.4	2.00	50.8	2.52	64.0	5.83	148.1	3.59	91.2	.32	8.1	.88
20GS-20FL67M	7347-46645	1 1/4	31.8	2.00	50.8	2.52	64.0	7.01	178.1	4.21	106.9	.32	8.1	1.89
20GS-24FL67S	7347-76605	1 1/4	31.8	2.38	60.5	2.01	51.1	6.46	164.1	3.66	93.0	.32	8.1	.19
24GSP-24FL67S	7347-46725	1 1/2	38.1	2.38	60.5	2.40	61.0	8.90	226.1	5.90	149.9	.32	8.1	3.01
24GSP-32FL67S	7347-46735	1 1/2	38.1	2.81	71.4	3.33	84.6	10.20	259.1	5.90	149.9	.38	9.7	3.50
32GSP-32FL67S	7347-46795	2	50.8	2.81	71.4	3.84	97.5	10.20	259.1	6.56	166.6	.38	9.7	4.72

EQUIPMENT
HOSE/CPLG. SELECTION
G8K COUPLINGS
GLOBALSPIRAL COUPLINGS
PCM/PCS FERRULES
MEGACRIMP COUPLINGS
STAINLESS STEEL
POWER CRIMP COUPLINGS
LOC, GL AND GLP COUPLINGS
POLARSEAL COUPLINGS
POLARSEAL II COUPLINGS
C14 COUPLINGS
PCTS THERMO-PLASTIC COUPLINGS
FIELD ATTACHABLE G1 AND G2 COUPLINGS
FIELD ATTACHABLE C5 AND C5E COUPLINGS
SURELOK AIR BRAKE COUPLINGS
ADAPTERS
QUICK DISCONNECT COUPLERS
LIVE SWIVEL
BALL VALVES
ACCESSORIES
EQUIPMENT AND PARTS



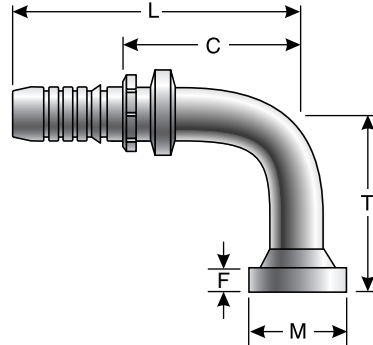


GlobalSpiral™ Couplings

Code 61 O-Ring Flange - 90° Bent Tube

-8FL, -12FL, -16FL Max. W.P. 5,000 psi; -20FL Max. W.P. 4,000 psi; -24FL Max. W.P. 3,000 psi; -32FL Max. W.P. 3,000 psi, -40FL Max. W.P. 2,500 psi.

S, M and L Drops per ISO Final Draft International Standard 12151-3.
See Accessories for O-Rings.



Descr.	Prod. No.	⊖		M		T		L		C		F		Weight Lbs.
		"	mm	"	mm	"	mm	"	mm	"	mm	"	mm	
6GS-8FL90M	7347-74155	3/8	9.5	1.19	30.2	1.57	39.9	3.43	87.1	2.02	51.3	.27	6.9	.33
8GS-8FL90L	7347-73815	1/2	12.7	1.19	30.2	3.27	83.1	3.46	87.9	1.99	50.6	.27	6.9	.40
8GS-8FL90M	7347-74245	1/2	12.7	1.19	30.2	1.57	39.9	3.46	87.9	1.99	50.6	.27	6.9	.57
8GS-12FL90M	7347-74265	1/2	12.7	1.50	38.1	2.28	57.9	3.46	87.9	1.98	50.3	.27	6.9	.84
10GS-12FL90M	7347-74355	5/8	15.9	1.50	38.1	2.28	57.9	4.33	110.0	2.35	59.7	.27	6.9	.59
12GS-8FL90-050	7347-76035	3/4	19.1	1.19	30.2	1.97	50.0	4.80	121.9	2.80	71.1	.27	6.9	.48
12GS-12FL90-100	7347-73905	3/4	19.1	1.50	38.1	3.94	100.1	4.41	112.0	2.40	61.0	.27	6.9	.86
12GS-12FL90-125	7347-73985	3/4	19.1	1.50	38.1	4.92	125.0	4.80	121.9	2.80	71.1	.27	6.9	.97
12GS-12FL90M	7347-74445	3/4	19.1	1.50	38.1	2.28	57.9	4.41	112.0	2.40	61.0	.27	6.9	.73
12GS-16FL90-080	7347-76805	3/4	19.1	1.75	44.5	3.15	80.0	5.04	128.0	3.03	77.0	.32	8.1	.08
12GS-16FL90-178	7347-79025	3/4	19.1	1.75	44.5	7.01	178.1	4.41	112.0	2.38	60.5	.32	8.1	1.22
12GS-16FL90M	7347-73925	3/4	19.1	1.75	44.5	2.76	70.1	4.41	112.0	2.40	61.0	.32	8.1	.84
12GS-16FL90S	7347-73915	3/4	19.1	1.75	44.5	2.40	61.0	4.41	112.0	2.40	61.0	.32	8.1	.81
12GS-20FL90-054	7347-73995	3/4	19.1	2.00	50.8	2.13	54.1	5.16	131.1	3.15	80.0	.32	8.1	.99
12GS-20FL90-125	7347-78375	3/4	19.1	2.00	50.8	4.92	125.0	4.76	120.9	2.76	70.1	.32	8.1	1.10
16GS-12FL90	7347-73255	1	25.4	1.50	38.1	3.15	80.0	5.31	134.9	3.10	78.7	.27	6.9	1.17
16GS-12FL90M	7347-74535	1	25.4	1.50	38.1	2.28	57.9	5.31	134.9	5.08	129.0	.27	6.9	.86
16GS-16FL90-120	7347-73165	1	25.4	1.75	44.5	4.72	119.9	5.28	134.1	3.04	77.2	.32	8.1	.97
16GS-16FL90-210	7347-78875	1	25.4	1.75	44.5	8.27	210.1	5.28	134.1	3.02	76.7	.32	8.1	.91
16GS-16FL90M	7347-74555	1	25.4	1.75	44.5	2.76	70.1	5.31	134.9	3.09	78.5	.32	8.1	1.24
16GS-16FL90S	7347-47555	1	25.4	1.75	44.5	2.40	61.0	5.31	134.9	3.09	78.5	.32	8.1	1.22
16GS-20FL90M	7347-74565	1	25.4	2.00	50.8	3.54	89.9	5.28	134.1	2.99	76.0	.32	8.1	1.33
16GS-20FL90S	7347-47565	1	25.4	2.00	50.8	2.68	68.1	5.28	134.1	3.02	76.7	.32	8.1	.88
16GS-24FL90-060	7347-73975	1	25.4	2.38	60.5	2.36	59.9	5.71	145.0	3.47	88.1	.32	8.1	1.50
16GS-24FL90S	7347-47575	1	25.4	2.38	60.5	3.19	81.0	5.28	134.1	3.04	77.2	.32	8.1	1.42
20GS-16FL90-215	7347-78885	1 1/4	31.8	1.75	44.5	8.46	214.9	6.30	160.0	3.50	88.9	.32	8.1	2.47
20GS-16FL90M	7347-74635	1 1/4	31.8	1.75	44.5	2.76	70.1	6.30	160.0	3.50	88.9	.32	8.1	1.61
20GS-20FL90-168	7347-76105	1 1/4	31.8	2.00	50.8	6.61	167.9	6.54	166.1	3.74	95.0	.32	8.1	3.36
20GS-20FL90M	7347-74645	1 1/4	31.8	2.00	50.8	3.54	89.9	6.50	165.1	3.70	94.0	.32	8.1	2.40
20GS-20FL90S	7347-47645	1 1/4	31.8	2.00	50.8	2.68	68.1	6.50	165.1	3.70	94.0	.32	8.1	1.89
20GS-24FL90-118	7347-76085	1 1/4	31.8	2.38	60.5	4.65	118.1	6.50	165.1	3.70	94.0	.32	8.1	2.90



GlobalSpiral™ Couplings

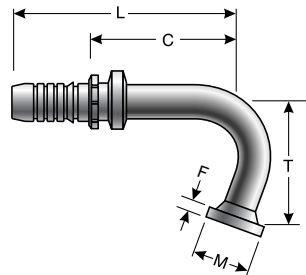
Code 61 O-Ring Flange - 90° Bent Tube - Cont'd

Descr.	Prod. No.	⊖		M		T		L		C		F		Weight Lbs.
		"	mm	"	mm	"	mm	"	mm	"	mm	"	mm	
20GS-24FL90S	7347-47655	1 1/4	31.8	2.38	60.5	3.19	81.0	6.50	165.1	3.70	94.0	.32	8.1	2.49
24GSP-20FL90S	7347-47715	1 1/2	38.1	2.00	50.8	2.68	68.1	6.81	173.0	3.92	99.6	.32	8.1	2.27
24GSP-24FL90-148	7347-85625	1 1/2	38.1	2.36	59.9	5.83	148.1	6.89	175.0	4.01	101.9	.32	8.1	3.58
24GSP-24FL90M	7347-74725	1 1/2	38.1	2.36	59.9	4.09	103.9	6.89	175.0	4.01	101.9	.32	8.1	3.30
24GSP-24FL90S	7347-47725	1 1/2	38.1	2.38	60.5	3.19	81.0	7.24	183.9	4.33	110.0	.32	8.1	2.80
24GSP-32FL90-080	7347-47745	1 1/2	38.1	2.81	71.4	3.15	80.0	6.99	177.6	4.01	101.9	.38	9.7	3.04
24GSP-32FL90-170	7347-85435	1 1/2	38.1	2.81	71.4	6.69	169.9	6.88	174.8	3.99	101.4	.38	9.7	4.12
24GSP-32FL90S	7347-47735	1 1/2	38.1	2.81	71.4	4.72	119.9	6.90	175.3	4.01	101.9	.38	9.7	3.56
32GSP-24FL90S	7347-47785	2	50.8	2.36	59.9	3.19	81.0	7.76	197.1	4.13	104.9	.31	7.9	3.50
32GSP-32FL90-114	7347-47805	2	50.8	2.81	71.4	4.49	114.1	8.74	222.0	5.12	130.1	.38	9.7	4.70
32GSP-32FL90-165	7347-85425	2	50.8	2.81	71.4	6.50	165.1	9.69	246.1	6.06	153.9	.38	9.7	6.79
32GSP-32FL90-200	7347-85455	2	50.8	2.81	71.4	7.97	202.4	8.74	222.0	5.13	130.3	.38	9.7	6.10
32GSP-40FL90-110	7347-74805	2	50.8	3.31	84.1	4.38	111.3	8.52	216.4	4.98	126.5	.38	9.7	6.24

Code 61 O-Ring Flange - 100° Bent Tube

-8FL, -12FL, -16FL Max. W.P. 5,000 psi; -20FL Max. W.P. 4,000 psi; -24FL Max. W.P. 3,000 psi; -32FL Max. W.P. 3,000 psi, -40FL Max. W.P. 2,500 psi.

See Accessories for O-Rings.



Descr.	Prod. No.	⊖		M		T		L		C		F		Weight Lbs.
		"	mm	"	mm	"	mm	"	mm	"	mm	"	mm	
12GS-16FL100-059	7347-78055	3/4	19.1	1.75	44.5	2.32	58.9	4.93	125.2	2.92	74.2	.32	8.1	.81

EQUIPMENT
HOSE/CPLG. SELECTION
G8K COUPLINGS
GLOBALSPIRAL COUPLINGS
PCM/PCS FERRULES
MEGACRIMP COUPLINGS
STAINLESS STEEL
POWER CRIMP COUPLINGS
LOC, GL AND GLP COUPLINGS
POLARSEAL COUPLINGS
POLARSEAL II COUPLINGS
C14 COUPLINGS
PCTS THERMO-PLASTIC COUPLINGS
FIELD ATTACHABLE G1 AND G2 COUPLINGS
FIELD ATTACHABLE C5 AND C5E COUPLINGS
SURELOK AIR BRAKE COUPLINGS
ADAPTERS
QUICK DISCONNECT COUPLERS
LIVE SWIVEL
BALL VALVES
ACCESSORIES
EQUIPMENT AND PARTS

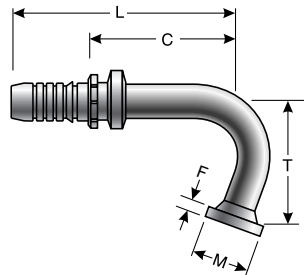




GlobalSpiral™ Couplings

Code 61 O-Ring Flange - 110° Bent Tube

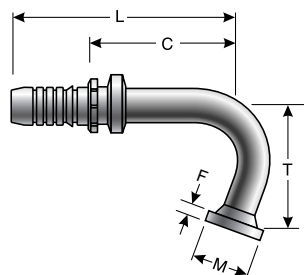
-8FL, -12FL, -16FL Max. W.P. 5,000 psi; -20FL Max. W.P. 4,000 psi; -24FL Max. W.P. 3,000 psi; -32FL Max. W.P. 3,000 psi, -40FL Max. W.P. 2,500 psi.
See Accessories for O-Rings.



Descr.	Prod. No.	⊖		M		T		L		C		F		Weight
		"	mm	"	mm	"	mm	"	mm	"	mm	"	mm	Lbs.
12GS-12FL110-064	7347-76025	3/4	19.1	1.50	38.1	2.52	64.0	5.16	131.1	3.15	80.0	.27	6.9	.77
16GS-16FL110-073	7347-73005	1	25.4	1.75	44.5	2.87	72.9	5.83	148.1	3.61	91.7	.32	8.1	1.02
16GS-20FL110-073	7347-76455	1	25.4	2.00	50.8	2.87	72.9	4.65	118.1	2.41	61.2	.32	8.1	1.20
20GS-20FL110-080	7347-76115	1 1/4	31.8	2.00	50.8	3.15	80.0	7.13	181.1	4.33	110.0	.32	8.1	2.13
20GS-24FL110-080	7347-76125	1 1/4	31.8	2.38	60.5	3.15	80.0	7.13	181.1	4.33	110.0	.32	8.1	2.77
24GSP-24FL110-094	7347-85635	1 1/2	38.1	2.36	59.9	3.70	94.0	7.95	201.9	5.07	128.8	.31	7.9	3.43
32GSP-32FL110-140	7347-85465	2	50.8	2.81	71.4	3.51	89.2	9.80	248.9	6.40	162.6	.38	9.7	5.84

Code 61 O-Ring Flange - 120° Bent Tube

-8FL, -12FL, -16FL Max. W.P. 5,000 psi; -20FL Max. W.P. 4,000 psi; -24FL Max. W.P. 3,000 psi; -32FL Max. W.P. 3,000 psi, -40FL Max. W.P. 2,500 psi.
See Accessories for O-Rings.



Descr.	Prod. No.	⊖		M		T		L		C		F		Weight
		"	mm	"	mm	"	mm	"	mm	"	mm	"	mm	Lbs.
24GSP-24FL120-119	7347-85645	1 1/2	38.1	2.36	59.9	4.69	119.1	7.20	182.9	4.31	109.5	.31	7.9	3.81

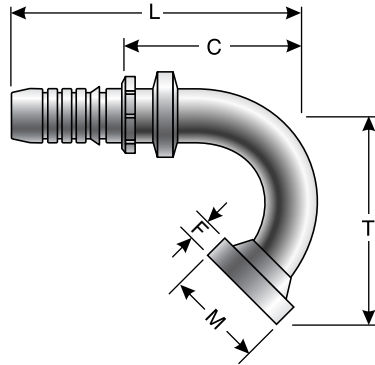
EQUIPMENT
HOSE/CPLG. SELECTION
G8K COUPLINGS
GLOBALSPIRAL COUPLINGS
PCM/PCS FERRULES
MEGACRIMP COUPLINGS
STAINLESS STEEL
POWER CRIMP COUPLINGS
LOC, GL AND GLP COUPLINGS
POLARSEAL COUPLINGS
POLARSEAL II COUPLINGS
C14 COUPLINGS
PCTS THERMO-PLASTIC COUPLINGS
FIELD ATTACHABLE G1 AND G2 COUPLINGS
FIELD ATTACHABLE C5 AND C5E COUPLINGS
SURELOK AIR BRAKE COUPLINGS
ADAPTERS
QUICK DISCONNECT COUPLERS
LIVE SWIVEL
BALL VALVES
ACCESSORIES
EQUIPMENT AND PARTS



GlobalSpiral™ Couplings

Code 61 O-Ring Flange - 125° Bent Tube

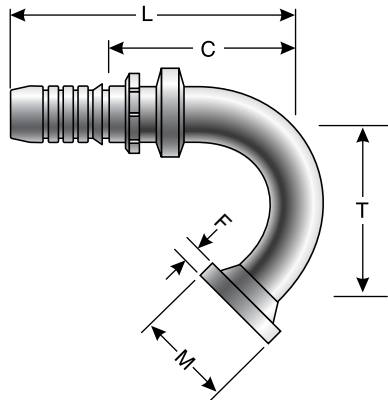
-8FL, -12FL, -16FL Max. W.P. 5,000 psi; -20FL Max. W.P. 4,000 psi; -24FL Max. W.P. 3,000 psi; -32FL Max. W.P. 3,000 psi, -40FL Max. W.P. 2,500 psi.
See Accessories for O-Rings.



Descr.	Prod. No.	⊖		M		T		L		C		F		Weight Lbs.
		"	mm	"	mm	"	mm	"	mm	"	mm	"	mm	
32GSP-32FL125-150	7347-85475	2	50.8	2.81	71.4	3.90	99.1	8.30	210.8	4.70	119.4	.38	9.7	5.89

Code 61 O-Ring Flange - 135° Bent Tube

-8FL, -12FL, -16FL Max. W.P. 5,000 psi; -20FL Max. W.P. 4,000 psi; -24FL Max. W.P. 3,000 psi; -32FL Max. W.P. 3,000 psi, -40FL Max. W.P. 2,500 psi.
See Accessories for O-Rings.



Descr.	Prod. No.	⊖		M		T		L		C		F		Weight Lbs.
		"	mm	"	mm	"	mm	"	mm	"	mm	"	mm	
12GS-12FL135-070	7347-76825	3/4	19.1	1.50	38.1	2.76	70.1	3.82	97.0	1.81	46.0	.27	6.9	.07

EQUIPMENT
HOSE/CPLG. SELECTION
G8K COUPLINGS
GLOBALSPIRAL COUPLINGS
PCM/PCS FERRULES
MEGACRIMP COUPLINGS
STAINLESS STEEL
POWER CRIMP COUPLINGS
LOC, GL AND GLP COUPLINGS
POLARSEAL COUPLINGS
POLARSEAL II COUPLINGS
C14 COUPLINGS
PCTS THERMO-PLASTIC COUPLINGS
FIELD ATTACHABLE G1 AND G2 COUPLINGS
FIELD ATTACHABLE C5 AND C5E COUPLINGS
SURELOK AIR BRAKE COUPLINGS
ADAPTERS
QUICK DISCONNECT COUPLERS
LIVE SWIVEL
BALL VALVES
ACCESSORIES
EQUIPMENT AND PARTS

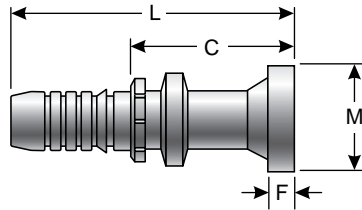




GlobalSpiral™ Couplings

Code 61 Komatsu Style O-Ring Flange

See Accessories for O-Rings.

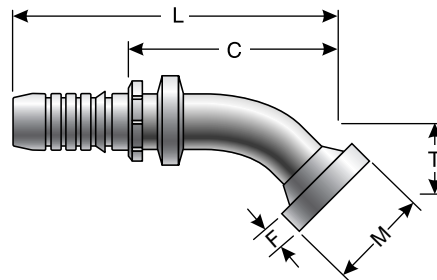


Descr.	Prod. No.	⊖		M		L		C		F		Weight Lbs.
		"	mm	"	mm	"	mm	"	mm	"	mm	
8GS-10FLK	7347-55255	1/2	12.7	1.35	34.3	3.21	81.5	1.74	44.2	.27	6.9	.29
10GS-10FLK	7347-73335	5/8	15.9	1.35	34.3	4.49	114.1	2.51	63.8	.27	6.9	.42
12GS-10FLK	7347-73375	3/4	19.1	1.35	34.3	4.33	110.0	2.32	58.9	.27	6.9	.42

Code 61 Komatsu Style O-Ring Flange - 45° Bent Tube

S, M and L Drops per ISO Final Draft International Standard 12151-3.

See Accessories for O-Rings.



Descr.	Prod. No.	⊖		M		T		L		C		F		Weight Lbs.
		"	mm	"	mm	"	mm	"	mm	"	mm	"	mm	
10GS-10FLK45-026	7347-73365	5/8	15.9	1.35	34.3	1.02	25.9	4.76	120.9	2.78	70.6	.27	6.9	.48

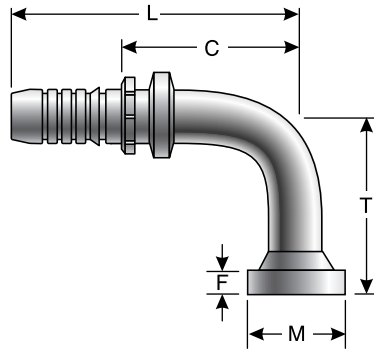
EQUIPMENT
HOSE/CPLG. SELECTION
G8K COUPLINGS
GLOBALSPIRAL COUPLINGS
PCM/PCS FERRULES
MEGACRIMP COUPLINGS
STAINLESS STEEL
POWER CRIMP COUPLINGS
LOC, GL AND GLP COUPLINGS
POLARSEAL COUPLINGS
POLARSEAL II COUPLINGS
C14 COUPLINGS
PCTS THERMO-PLASTIC COUPLINGS
FIELD ATTACHABLE G1 AND G2 COUPLINGS
FIELD ATTACHABLE C5 AND C5E COUPLINGS
SURELOK AIR BRAKE COUPLINGS
ADAPTERS
QUICK DISCONNECT COUPLERS
LIVE SWIVEL
BALL VALVES
ACCESSORIES
EQUIPMENT AND PARTS



GlobalSpiral™ Couplings

Code 61 Komatsu Style O-Ring Flange - 90° Bent Tube

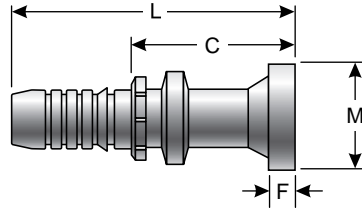
S, M and L Drops per ISO Final Draft International Standard 12151-3.
See Accessories for O-Rings.



Descr.	Prod. No.	⊖		M		T		L		C		F		Weight Lbs.
		"	mm	"	mm	"	mm	"	mm	"	mm	"	mm	
10GS-10FLK90-055	7347-73355	5/8	15.9	1.35	34.3	2.17	55.1	4.33	110.0	2.35	59.7	.27	6.9	.53
12GS-10FLK90-055	7347-73695	3/4	19.1	1.35	34.3	2.17	55.1	4.65	118.1	2.64	67.1	.27	6.9	.59

Code 62 O-Ring Flange Heavy

All FLH sizes Maximum Working Pressure 6,000 PSI.
See Accessories for O-Rings.



Descr.	Prod. No.	⊖		M		L		C		F		Weight Lbs.
		"	mm	"	mm	"	mm	"	mm	"	mm	
8GS-8FLH	7347-48245	1/2	12.7	1.25	31.8	3.66	93.0	2.19	55.6	.31	7.9	.31
8GS-12FLH	7347-48265	1/2	12.7	1.63	41.4	3.66	93.0	2.19	55.6	.35	8.9	.37
10GS-8FLH	7347-48335	5/8	15.9	1.25	31.8	4.29	109.0	2.31	58.7	.31	7.9	.37
10GS-12FLH	7347-48355	5/8	15.9	1.63	41.4	4.29	109.0	2.31	58.7	.35	8.9	.50
12GS-12FLH	7347-48445	3/4	19.1	1.63	41.4	4.49	114.1	2.48	63.0	.35	8.9	.59
12GS-16FLH	7347-48465	3/4	19.1	1.88	47.8	4.49	114.1	2.48	63.0	.38	9.7	.57
16GS-12FLH	7347-48535	1	25.4	1.63	41.4	5.08	129.0	2.86	72.6	.35	8.9	1.13
16GS-16FLH	7347-48555	1	25.4	1.88	47.8	4.92	125.0	2.70	68.6	.38	9.7	.97
16GS-20FLH	7347-48565	1	25.4	2.13	54.1	4.92	125.0	2.69	68.3	.41	10.4	.88
20GS-16FLH	7347-48635	1 1/4	31.8	1.88	47.8	6.42	163.1	3.62	92.0	.38	9.7	1.39
20GS-20FLH	7347-48645	1 1/4	31.8	2.13	54.1	5.75	146.1	2.95	74.9	.41	10.4	1.62
20GS-24FLH	7347-48655	1 1/4	31.8	2.50	63.5	6.30	160.0	3.50	88.9	.50	12.7	1.98
24GSP-24FLH	7347-48725	1 1/2	38.1	2.50	63.5	6.57	166.9	3.68	93.5	.50	12.7	.99
24GSP-32FLH	7347-48735	1 1/2	38.1	3.13	79.5	6.57	166.9	3.68	93.5	.50	12.7	2.87

EQUIPMENT
HOSE/CPLG. SELECTION
G8K COUPLINGS
GLOBALSPIRAL COUPLINGS
PCM/PCS FERRULES
MEGACRIMP COUPLINGS
STAINLESS STEEL
POWER CRIMP COUPLINGS
LOC, GL AND GLP COUPLINGS
POLARSEAL COUPLINGS
POLARSEAL II COUPLINGS
C14 COUPLINGS
PCTS THERMO-PLASTIC COUPLINGS
FIELD ATTACHABLE G1 AND G2 COUPLINGS
FIELD ATTACHABLE C5 AND C5E COUPLINGS
SURELOK AIR BRAKE COUPLINGS
ADAPTERS
QUICK DISCONNECT COUPLERS
LIVE SWIVEL
BALL VALVES
ACCESSORIES
EQUIPMENT AND PARTS



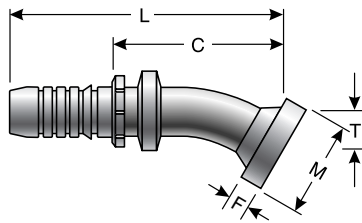
GlobalSpiral™ Couplings

Code 62 O-Ring Flange Heavy - Cont'd

Descr.	Prod. No.	⊖		M		L		C		F		Weight Lbs.
		"	mm	"	mm	"	mm	"	mm	"	mm	
32GSP-32FLH	7347-48795	2	50.8	3.13	79.5	7.09	180.1	3.46	87.9	.50	12.7	3.40

Code 62 O-Ring Flange Heavy - 22½° Bent Tube

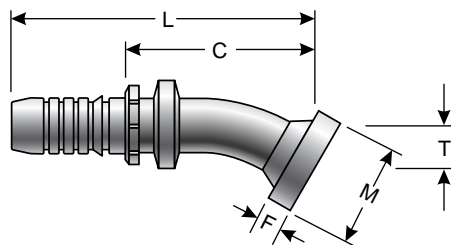
All FLH sizes Maximum Working Pressure 6,000 PSI.
S, M and L Drops per ISO Final Draft International Standard 12151-3.
See Accessories for O-Rings.



Descr.	Prod. No.	⊖		M		T		L		C		F		Weight Lbs.
		"	mm	"	mm	"	mm	"	mm	"	mm	"	mm	
12GS-16FLH22M	7347-49465	3/4	19.1	1.88	47.8	.55	14.0	5.43	137.9	3.43	87.1	.38	9.7	.77
16GS-16FLH22M	7347-49555	1	25.4	1.88	47.8	.55	14.0	6.10	154.9	3.88	98.6	.38	9.7	1.13
16GS-20FLH22M	7347-49565	1	25.4	2.13	54.1	.59	15.0	6.61	167.9	4.52	114.8	.41	10.4	1.30
20GS-20FLH22M	7347-49645	1 1/4	31.8	2.13	54.1	.59	15.0	7.32	185.9	4.52	114.8	.41	10.4	2.14
20GS-24FLH22M	7347-49655	1 1/4	31.8	2.50	63.5	.71	18.0	7.40	188.0	4.60	116.8	.50	12.7	2.49

Code 62 O-Ring Flange Heavy - 30° Bent Tube

All FLH sizes Maximum Working Pressure 6,000 PSI.
S, M and L Drops per ISO Final Draft International Standard 12151-3.
See Accessories for O-Rings.



Descr.	Prod. No.	⊖		M		T		L		C		F		Weight Lbs.
		"	mm	"	mm	"	mm	"	mm	"	mm	"	mm	
12GS-12FLH30M	7347-50445	3/4	19.1	1.63	41.4	.63	16.0	5.08	129.0	3.07	78.0	.35	8.9	.06
12GS-16FLH30M	7347-50465	3/4	19.1	1.88	47.8	.75	19.1	5.08	129.0	3.07	78.0	.38	9.7	.77
16GS-16FLH30M	7347-50555	1	25.4	1.88	47.8	.75	19.1	6.02	152.9	3.80	96.5	.38	9.7	1.13
16GS-20FLH30M	7347-50565	1	25.4	2.13	54.1	1.50	38.1	6.22	158.0	3.98	101.1	.41	10.4	1.30
20GS-20FLH30M	7347-50645	1 1/4	31.8	2.13	54.1	.87	22.1	7.24	183.9	4.44	112.8	.41	10.4	2.09

GlobalSpiral™ Couplings

Code 62 O-Ring Flange Heavy - 30° Bent Tube - Cont'd

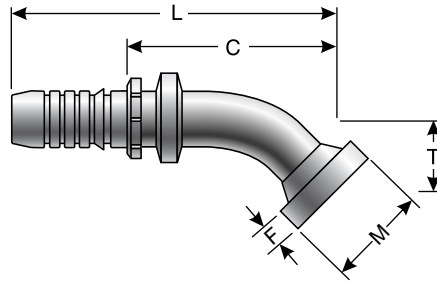
Descr.	Prod. No.	⊖		M		T		L		C		F		Weight Lbs.
		"	mm	"	mm	"	mm	"	mm	"	mm	"	mm	
20GS-24FLH30M	7347-50655	1 1/4	31.8	2.50	63.5	1.18	30.0	7.24	183.9	4.44	112.8	.50	12.7	2.55

Code 62 O-Ring Flange Heavy - 45° Bent Tube

All FLH sizes Maximum Working Pressure 6,000 PSI.

S, M and L Drops per ISO Final Draft International Standard 12151-3.

See Accessories for O-Rings.



Descr.	Prod. No.	⊖		M		T		L		C		F		Weight Lbs.
		"	mm	"	mm	"	mm	"	mm	"	mm	"	mm	
8GS-8FLH45M	7347-51245	1/2	12.7	1.25	31.8	.75	19.1	3.70	94.0	2.22	56.4	.31	7.9	.30
8GS-12FLH45M	7347-51265	1/2	12.7	1.63	41.4	1.02	25.9	3.98	101.1	2.50	63.5	.35	8.9	.42
10GS-12FLH45M	7347-51355	5/8	15.9	1.63	41.4	1.02	25.9	5.00	127.0	3.02	76.7	.35	8.9	.60
12GS-8FLH45M	7347-51425	3/4	19.1	1.25	31.8	.75	19.1	4.56	115.8	2.55	64.8	.31	7.9	.43
12GS-12FLH45M	7347-51445	3/4	19.1	1.63	41.4	1.02	25.9	4.88	124.0	2.87	72.9	.35	8.9	.66
12GS-16FLH45M	7347-51465	3/4	19.1	1.88	47.8	1.26	32.0	5.12	130.1	3.11	79.0	.38	9.7	.77
16GS-12FLH45M	7347-51535	1	25.4	1.63	41.4	1.02	25.9	5.55	141.0	3.33	84.6	.35	8.9	.95
16GS-16FLH45M	7347-51555	1	25.4	1.88	47.8	1.26	32.0	5.79	147.1	3.57	90.7	.38	9.7	1.13
16GS-20FLH45M	7347-51565	1	25.4	2.13	54.1	1.50	38.1	6.22	158.0	3.98	101.1	.41	10.4	.95
20GS-16FLH45M	7347-51635	1 1/4	31.8	1.88	47.8	1.26	32.0	6.73	170.9	3.93	99.8	.38	9.7	1.50
20GS-20FLH45M	7347-51645	1 1/4	31.8	2.13	54.1	1.50	38.1	6.93	176.0	4.13	104.9	.41	10.4	2.04
20GS-24FLH45M	7347-51655	1 1/4	31.8	2.50	63.5	1.73	43.9	6.93	176.0	4.13	104.9	.50	12.7	2.55
24GSP-24FLH45M	7347-51725	1 1/2	38.1	2.50	63.5	1.73	43.9	7.56	192.0	4.65	118.1	.50	12.7	2.70
24GSP-32FLH45S	7347-51735	1 1/2	38.1	3.13	79.5	2.05	52.1	7.87	199.9	4.98	126.5	.50	12.7	3.48
32GSP-32FLH45-066	7347-51805	2	50.8	3.13	79.5	2.60	66.0	10.67	271.0	7.06	179.3	.50	12.7	5.65

EQUIPMENT
HOSE/CPLG. SELECTION
G8K COUPLINGS
GLOBALSPIRAL COUPLINGS
PCM/PCS FERRULES
MEGACRIMP COUPLINGS
STAINLESS STEEL
POWER CRIMP COUPLINGS
LOC, GL AND GLP COUPLINGS
POLARSEAL COUPLINGS
POLARSEAL II COUPLINGS
C14 COUPLINGS
PCTS THERMO-PLASTIC COUPLINGS
FIELD ATTACHABLE G1 AND G2 COUPLINGS
FIELD ATTACHABLE C5 AND C5E COUPLINGS
SURELOK AIR BRAKE COUPLINGS
ADAPTERS
QUICK DISCONNECT COUPLERS
LIVE SWIVEL
BALL VALVES
ACCESSORIES
EQUIPMENT AND PARTS

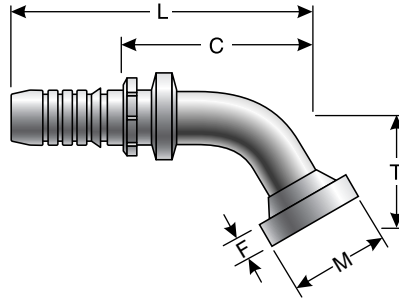


EQUIPMENT
HOSE/CPLG. SELECTION
G8K COUPLINGS
GLOBALSPIRAL COUPLINGS
PCM/PCS FERRULES
MEGACRIMP COUPLINGS
STAINLESS STEEL
POWER CRIMP COUPLINGS
LOC, GL AND GLP COUPLINGS
POLARSEAL COUPLINGS
POLARSEAL II COUPLINGS
C14 COUPLINGS
PCTS THERMO-PLASTIC COUPLINGS
FIELD ATTACHABLE G1 AND G2 COUPLINGS
FIELD ATTACHABLE C5 AND C5E COUPLINGS
SURELOK AIR BRAKE COUPLINGS
ADAPTERS
QUICK DISCONNECT COUPLERS
LIVE SWIVEL
BALL VALVES
ACCESSORIES
EQUIPMENT AND PARTS

GlobalSpiral™ Couplings

Code 62 O-Ring Flange Heavy - 60° Bent Tube

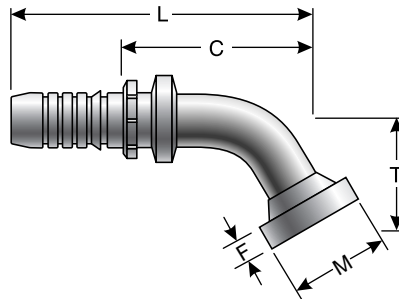
All FLH sizes Maximum Working Pressure 6,000 PSI.
S, M and L Drops per ISO Final Draft International Standard 12151-3.
See Accessories for O-Rings.



Descr.	Prod. No.	⊖		M		T		L		C		F		Weight
		"	mm	"	mm	"	mm	"	mm	"	mm	"	mm	Lbs.
12GS-12FLH60M	7347-52445	3/4	19.1	1.63	41.4	1.46	37.1	5.39	136.9	3.39	86.1	.35	8.9	.99
12GS-16FLH60M	7347-52465	3/4	19.1	1.88	47.8	1.73	43.9	5.35	135.9	3.35	85.1	.38	9.7	.81
16GS-16FLH60M	7347-52555	1	25.4	1.88	47.8	1.73	43.9	6.18	157.0	3.96	100.6	.38	9.7	1.28
20GS-20FLH60M	7347-52645	1 1/4	31.8	2.13	54.1	2.17	55.1	7.32	185.9	4.52	114.8	.41	10.4	2.29
20GS-24FLH60M	7347-52655	1 1/4	31.8	2.50	63.5	2.52	64.0	7.64	194.1	4.84	122.9	.50	12.7	2.84

Code 62 O-Ring Flange Heavy - 67½° Bent Tube

All FLH sizes Maximum Working Pressure 6,000 PSI.
S, M and L Drops per ISO Final Draft International Standard 12151-3.
See Accessories for O-Rings.

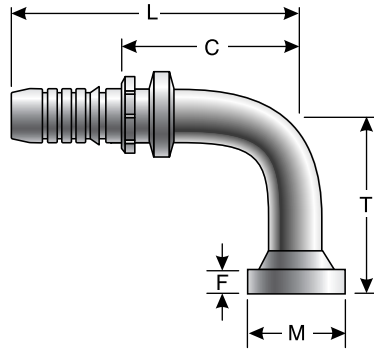


Descr.	Prod. No.	⊖		M		T		L		C		F		Weight
		"	mm	"	mm	"	mm	"	mm	"	mm	"	mm	Lbs.
16GS-16FLH67M	7347-53555	1	25.4	1.88	47.8	2.01	51.1	5.94	150.9	3.72	94.5	.38	9.7	1.28

GlobalSpiral™ Couplings

Code 62 O-Ring Flange Heavy - 90° Bent Tube

All FLH sizes Maximum Working Pressure 6,000 PSI.
S, M and L Drops per ISO Final Draft International Standard 12151-3.
See Accessories for O-Rings.



Descr.	Prod. No.	⊖		M		T		L		C		F		Weight Lbs.
		"	mm	"	mm	"	mm	"	mm	"	mm	"	mm	
8GS-8FLH90-080	7347-73825	1/2	12.7	1.25	31.8	3.15	80.0	3.46	87.9	1.99	50.6	.31	7.9	.40
8GS-8FLH90M	7347-75245	1/2	12.7	1.25	31.8	1.57	39.9	3.46	87.9	1.99	50.6	.31	7.9	.57
8GS-12FLH90M	7347-75265	1/2	12.7	1.63	41.4	2.28	57.9	3.46	87.9	1.99	50.6	.35	8.9	.46
10GS-8FLH90M	7347-75335	5/8	15.9	1.25	31.8	1.57	39.9	4.45	113.0	2.47	62.7	.31	7.9	.59
10GS-12FLH90M	7347-75355	5/8	15.9	1.63	41.4	2.28	57.9	4.33	110.0	2.35	59.7	.35	8.9	.66
12GS-12FLH90-100	7347-73835	3/4	19.1	1.63	41.4	3.94	100.1	4.41	112.0	2.40	61.0	.35	8.9	.90
12GS-12FLH90-122	7347-76415	3/4	19.1	1.63	41.4	4.80	121.9	4.80	121.9	2.80	71.1	.35	8.9	.99
12GS-12FLH90M	7347-75445	3/4	19.1	1.63	41.4	2.28	57.9	4.41	112.0	2.40	61.0	.35	8.9	.75
12GS-16FLH90-140	7347-76715	3/4	19.1	1.88	47.8	5.51	140.0	4.57	116.1	2.56	65.0	.38	9.7	.11
12GS-16FLH90M	7347-73935	3/4	19.1	1.88	47.8	2.76	70.1	4.41	112.0	2.40	61.0	.38	9.7	.92
12GS-16FLH90S	7347-54465	3/4	19.1	1.88	47.8	2.40	61.0	4.41	112.0	2.40	61.0	.38	9.7	.83
12GS-20FLH90M	7347-75475	3/4	19.1	2.13	54.1	3.54	89.9	4.80	121.9	2.80	71.1	.41	10.4	.54
16GS-12FLH90M	7347-54535	1	25.4	1.63	41.4	2.28	57.9	5.31	134.9	3.09	78.5	.35	8.9	1.28
16GS-16FLH90-090	7347-78105	1	25.4	1.88	47.8	3.54	89.9	5.52	140.2	3.28	83.3	.38	9.7	1.32
16GS-16FLH90-120	7347-73015	1	25.4	1.88	47.8	4.72	119.9	5.28	134.1	3.04	77.2	.38	9.7	1.50
16GS-16FLH90M	7347-75555	1	25.4	1.88	47.8	2.76	70.1	5.31	134.9	3.09	78.5	.38	9.7	1.30
16GS-16FLH90S	7347-54555	1	25.4	1.88	47.8	2.40	61.0	5.31	134.9	3.09	78.5	.38	9.7	1.28
16GS-20FLH90M	7347-75565	1	25.4	2.13	54.1	3.54	89.9	5.28	134.1	3.02	76.7	.41	10.4	1.44
16GS-20FLH90S	7347-54565	1	25.4	2.13	54.1	2.68	68.1	5.28	134.1	3.02	76.7	.41	10.4	1.07
16GS-24FLH90S	7347-54575	1	25.4	2.50	63.5	3.19	81.0	5.28	134.1	3.04	77.2	.50	12.7	2.00
20GS-16FLH90-100	7347-76185	1 1/4	31.8	1.88	47.8	3.94	100.1	6.30	160.0	3.50	88.9	.38	9.7	1.83
20GS-16FLH90M	7347-75635	1 1/4	31.8	1.88	47.8	2.76	70.1	6.30	160.0	3.50	88.9	.38	9.7	1.67
20GS-16FLH90S	7347-54635	1 1/4	31.8	1.88	47.8	2.40	61.0	6.30	160.0	3.50	88.9	.38	9.7	1.61
20GS-20FLH90-076	7347-73635	1 1/4	31.8	2.13	54.1	2.99	76.0	6.50	165.1	3.70	94.0	.41	10.4	2.42
20GS-20FLH90-120	7347-76135	1 1/4	31.8	2.13	54.1	4.72	119.9	6.50	165.1	3.70	94.0	.41	10.4	2.95
20GS-20FLH90-152	7347-76485	1 1/4	31.8	2.13	54.1	5.98	151.9	6.50	165.1	3.70	94.0	.41	10.4	3.21
20GS-20FLH90M	7347-75645	1 1/4	31.8	2.13	54.1	3.54	89.9	6.50	165.1	3.70	94.0	.41	10.4	2.45
20GS-24FLH90S	7347-54655	1 1/4	31.8	2.50	63.5	3.19	81.0	6.50	165.1	3.70	94.0	.50	12.7	2.91
24GSP-24FLH90-094	7347-79105	1 1/2	38.1	2.50	63.5	3.70	94.0	6.91	175.5	4.01	101.9	.50	12.7	3.12
24GSP-32FLH90S	7347-54735	1 1/2	38.1	3.13	79.5	4.72	119.9	6.96	176.8	4.06	103.1	.49	12.5	3.98
32GSP-32FLH90M	7347-75795	2	50.8	3.13	79.5	5.40	137.2	8.72	221.5	5.09	129.3	.50	12.7	6.21

EQUIPMENT
HOSE/CPLG. SELECTION
G8K COUPLINGS
GLOBALSPIRAL COUPLINGS
PCM/PCS FERRULES
MEGACRIMP COUPLINGS
STAINLESS STEEL
POWER CRIMP COUPLINGS
LOC, GL AND GLP COUPLINGS
POLARSEAL COUPLINGS
POLARSEAL II COUPLINGS
C14 COUPLINGS
PCTS THERMO-PLASTIC COUPLINGS
FIELD ATTACHABLE G1 AND G2 COUPLINGS
FIELD ATTACHABLE C5 AND C5E COUPLINGS
SURELOK AIR BRAKE COUPLINGS
ADAPTERS
QUICK DISCONNECT COUPLERS
LIVE SWIVEL
BALL VALVES
ACCESSORIES
EQUIPMENT AND PARTS

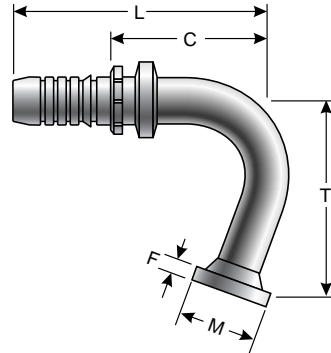




GlobalSpiral™ Couplings

Code 62 O-Ring Flange Heavy - 110° Bent Tube

All FLH sizes Maximum Working Pressure 6,000 PSI.

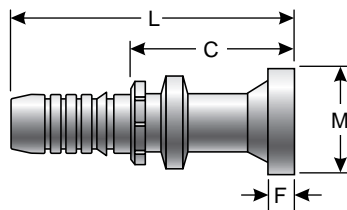


Descr.	Prod. No.	⊖		M		T		L		C		F		Weight
		"	mm	"	mm	"	mm	"	mm	"	mm	"	mm	Lbs.
12GS-12FLH110-064	7347-78525	3/4	19.1	1.50	38.1	2.76	70.1	3.82	97.0	1.81	46.0	.27	6.9	.80

Caterpillar Style O-Ring Flange

Note: These FLC flanges are designed with a thicker flange head. The 0.56" flange dimension is frequently found on Caterpillar equipment. These flanges let the user utilize the existing Caterpillar flange halves or new Gates Caterpillar flange halves. At the user's option, standard Code 62 flanges and halves can be used in place of Caterpillar flanges and halves. The standard Code 62 flange head thickness ranges between .305" and .495".

See Accessories for O-Rings.



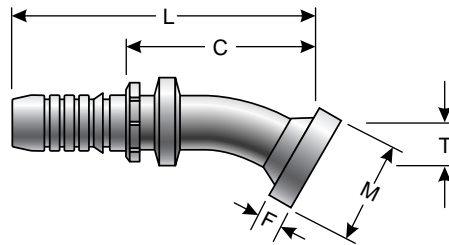
Descr.	Prod. No.	⊖		M		L		C		F		Weight	
		"	mm	"	mm	"	mm	"	mm	"	mm	Lbs.	
12GS-12FLC	7347-62445	3/4	19.1	1.63	41.4	5.71	145.0	3.70	94.0	.56	14.2	.86	
12GS-16FLC	7347-62465	3/4	19.1	1.88	47.8	5.71	145.0	3.70	94.0	.56	14.2	.92	
ADAPTERS	16GS-16FLC	1	25.4	1.88	47.8	6.10	154.9	3.87	98.3	.56	14.2	1.19	
	16GS-20FLC	7347-62565	1	25.4	2.13	54.1	6.10	154.9	3.87	98.3	.56	14.2	1.30
QUICK DISCONNECT COUPLERS	20GS-20FLC	7347-62645	1 1/4	31.8	2.13	54.1	7.36	186.9	4.56	115.8	.56	14.2	2.09
	20GS-24FLC	7347-62655	1 1/4	31.8	2.50	63.5	7.36	186.9	4.56	115.8	.56	14.2	2.37



GlobalSpiral™ Couplings

Caterpillar Style O-Ring Flange - 22½° Bent Tube

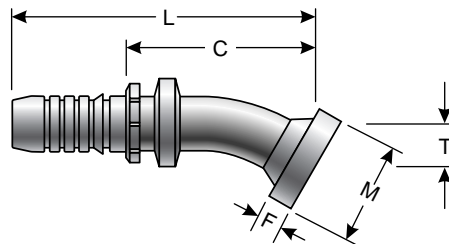
Note: These FLC flanges are designed with a thicker flange head. The 0.56" flange dimension is frequently found on Caterpillar equipment. These flanges let the user utilize the existing Caterpillar flange halves or new Gates Caterpillar flange halves. At the user's option, standard Code 62 flanges and halves can be used in place of Caterpillar flanges and halves. The standard Code 62 flange head thickness ranges between .305" and .495".
See Accessories for O-Rings.



Descr.	Prod. No.	⊖		M		T		L		C		F		Weight Lbs.
		"	mm	"	mm	"	mm	"	mm	"	mm	"	mm	
12GS-12FLC22-016	7347-63445	3/4	19.1	1.63	41.4	.63	16.0	5.63	143.0	3.62	92.0	.56	14.2	.86
16GS-16FLC22-017	7347-63555	1	25.4	1.88	47.8	.67	17.0	6.02	152.9	3.78	96.0	.56	14.2	1.19
16GS-20FLC22-017	7347-63565	1	25.4	2.13	54.1	.67	17.0	6.02	152.9	3.78	96.0	.56	14.2	1.30
20GS-20FLC22-017	7347-63645	1 1/4	31.8	2.13	54.1	.67	17.0	7.28	184.9	4.48	113.8	.56	14.2	2.14
20GS-24FLC22-017	7347-63655	1 1/4	31.8	2.50	63.5	.67	17.0	7.28	184.9	4.48	113.8	.56	14.2	2.37

Caterpillar Style O-Ring Flange - 30° Bent Tube

Note: These FLC flanges are designed with a thicker flange head. The 0.56" flange dimension is frequently found on Caterpillar equipment. These flanges let the user utilize the existing Caterpillar flange halves or new Gates Caterpillar flange halves. At the user's option, standard Code 62 flanges and halves can be used in place of Caterpillar flanges and halves. The standard Code 62 flange head thickness ranges between .305" and .495".
See Accessories for O-Rings.



Descr.	Prod. No.	⊖		M		T		L		C		F		Weight Lbs.
		"	mm	"	mm	"	mm	"	mm	"	mm	"	mm	
12GS-12FLC30-022	7347-64445	3/4	19.1	1.63	41.4	.87	22.1	5.51	140.0	3.50	88.9	.56	14.2	.86
12GS-16FLC30-022	7347-64465	3/4	19.1	1.88	47.8	.87	22.1	5.55	141.0	3.54	89.9	.56	14.2	.95
16GS-16FLC30-023	7347-64555	1	25.4	1.88	47.8	.91	23.1	5.94	150.9	3.69	93.7	.56	14.2	1.22
16GS-20FLC30-023	7347-64565	1	25.4	2.13	54.1	.91	23.1	5.94	150.9	3.69	93.7	.56	14.2	1.30
20GS-20FLC30-024	7347-64645	1 1/4	31.8	2.13	54.1	.94	23.9	7.20	182.9	4.41	112.0	.56	14.2	2.09
20GS-24FLC30-024	7347-64655	1 1/4	31.8	2.50	63.5	.94	23.9	7.20	182.9	4.41	112.0	.56	14.2	2.37

EQUIPMENT
HOSE/CPLG. SELECTION
G8K COUPLINGS
GLOBALSPIRAL COUPLINGS
PCM/PCS FERRULES
MEGACRIMP COUPLINGS
STAINLESS STEEL
POWER CRIMP COUPLINGS
LOC, GL AND GLP COUPLINGS
POLARSEAL COUPLINGS
POLARSEAL II COUPLINGS
C14 COUPLINGS
PCTS THERMO-PLASTIC COUPLINGS
FIELD ATTACHABLE G1 AND G2 COUPLINGS
FIELD ATTACHABLE C5 AND C5E COUPLINGS
SURELOK AIR BRAKE COUPLINGS
ADAPTERS
QUICK DISCONNECT COUPLERS
LIVE SWIVEL
BALL VALVES
ACCESSORIES
EQUIPMENT AND PARTS

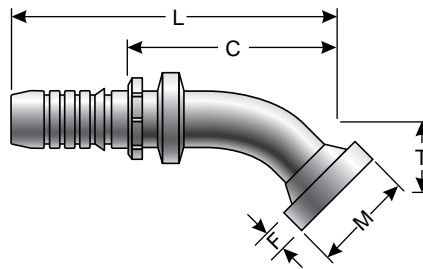




GlobalSpiral™ Couplings

Caterpillar Style O-Ring Flange - 45° Bent Tube

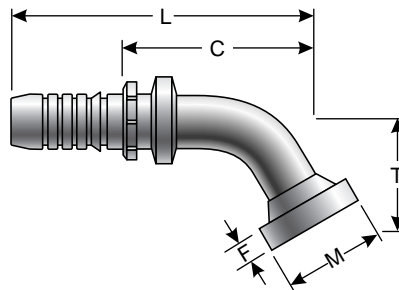
Note: These FLC flanges are designed with a thicker flange head. The 0.56" flange dimension is frequently found on Caterpillar equipment. These flanges let the user utilize the existing Caterpillar flange halves or new Gates Caterpillar flange halves. At the user's option, standard Code 62 flanges and halves can be used in place of Caterpillar flanges and halves. The standard Code 62 flange head thickness ranges between .305" and .495".
See Accessories for O-Rings.



Descr.	Prod. No.	⊖		M		T		L		C		F		Weight
		"	mm	"	mm	"	mm	"	mm	"	mm	"	mm	Lbs.
12GS-12FLC45-035	7347-65445	3/4	19.1	1.63	41.4	1.38	35.1	5.24	133.1	3.23	82.0	.56	14.2	.86
12GS-12FLC45-066	7347-76425	3/4	19.1	1.63	41.4	2.60	66.0	6.50	165.1	4.49	114.1	.56	14.2	.94
12GS-16FLC45-035	7347-65465	3/4	19.1	1.88	47.8	1.38	35.1	5.24	133.1	3.23	82.0	.56	14.2	.95
16GS-16FLC45-037	7347-65555	1	25.4	1.88	47.8	1.46	37.1	5.63	143.0	3.40	86.4	.56	14.2	1.19
16GS-20FLC45-037	7347-65565	1	25.4	2.13	54.1	1.46	37.1	5.63	143.0	3.40	86.4	.56	14.2	1.30
20GS-20FLC45-037	7347-65645	1 1/4	31.8	2.13	54.1	1.46	37.1	6.93	176.0	4.13	104.9	.56	14.2	2.09
20GS-24FLC45-037	7347-65655	1 1/4	31.8	2.50	63.5	1.46	37.1	6.93	176.0	4.13	104.9	.56	14.2	2.31

Caterpillar Style O-Ring Flange - 60° Bent Tube

Note: These FLC flanges are designed with a thicker flange head. The 0.56" flange dimension is frequently found on Caterpillar equipment. These flanges let the user utilize the existing Caterpillar flange halves or new Gates Caterpillar flange halves. At the user's option, standard Code 62 flanges and halves can be used in place of Caterpillar flanges and halves. The standard Code 62 flange head thickness ranges between .305" and .495".
See Accessories for O-Rings.



Descr.	Prod. No.	⊖		M		T		L		C		F		Weight
		"	mm	"	mm	"	mm	"	mm	"	mm	"	mm	Lbs.
12GS-16FLC60-048	7347-66465	3/4	19.1	1.88	47.8	1.89	48.0	5.75	146.1	3.74	95.0	.56	14.2	.95
16GS-16FLC60-050	7347-66555	1	25.4	1.88	47.8	1.97	50.0	6.42	163.1	4.17	105.9	.56	14.2	1.28
16GS-20FLC60-050	7347-66565	1	25.4	2.13	54.1	1.97	50.0	6.42	163.1	4.17	105.9	.56	14.2	1.41



GlobalSpiral™ Couplings

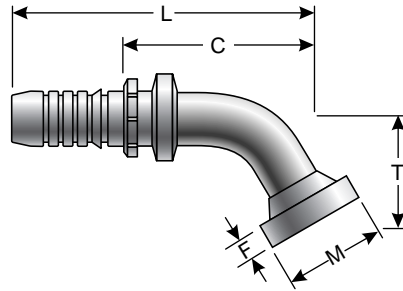
Caterpillar Style O-Ring Flange - 60° Bent Tube - Cont'd

Descr.	Prod. No.	⊖		M		T		L		C		F		Weight Lbs.
		"	mm	"	mm	"	mm	"	mm	"	mm	"	mm	
20GS-20FLC60-052	7347-66645	1 1/4	31.8	2.13	54.1	2.05	52.1	7.80	198.1	5.00	127.0	.56	14.2	2.44
20GS-24FLC60-052	7347-66655	1 1/4	31.8	2.50	63.5	2.05	52.1	7.80	198.1	5.00	127.0	.56	14.2	2.73

Caterpillar Style O-Ring Flange - 67½° Bent Tube

Note: These FLC flanges are designed with a thicker flange head. The 0.56" flange dimension is frequently found on Caterpillar equipment. These flanges let the user utilize the existing Caterpillar flange halves or new Gates Caterpillar flange halves. At the user's option, standard Code 62 flanges and halves can be used in place of Caterpillar flanges and halves. The standard Code 62 flange head thickness ranges between .305" and .495".

See Accessories for O-Rings.



Descr.	Prod. No.	⊖		M		T		L		C		F		Weight Lbs.
		"	mm	"	mm	"	mm	"	mm	"	mm	"	mm	
16GS-16FLC67-057	7347-67555	1	25.4	1.88	47.8	2.24	56.9	6.14	156.0	3.90	99.1	.56	14.2	1.28
16GS-20FLC67-057	7347-67565	1	25.4	2.13	54.1	2.24	56.9	6.14	156.0	3.90	99.1	.56	14.2	1.41
20GS-20FLC67-059	7347-67645	1 1/4	31.8	2.13	54.1	2.32	58.9	7.52	191.0	4.72	119.9	.56	14.2	2.44
20GS-24FLC67-059	7347-67655	1 1/4	31.8	2.50	63.5	2.32	58.9	7.52	191.0	4.72	119.9	.56	14.2	2.73

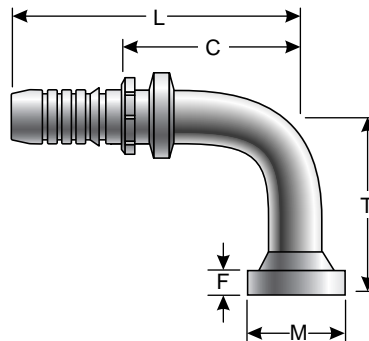
EQUIPMENT
HOSE/CPLG. SELECTION
G8K COUPLINGS
GLOBALSPIRAL COUPLINGS
PCM/PCS FERRULES
MEGACRIMP COUPLINGS
STAINLESS STEEL
POWER CRIMP COUPLINGS
LOC, GL AND GLP COUPLINGS
POLARSEAL COUPLINGS
POLARSEAL II COUPLINGS
C14 COUPLINGS
PCTS THERMO-PLASTIC COUPLINGS
FIELD ATTACHABLE G1 AND G2 COUPLINGS
FIELD ATTACHABLE C5 AND C5E COUPLINGS
SURELOK AIR BRAKE COUPLINGS
ADAPTERS
QUICK DISCONNECT COUPLERS
LIVE SWIVEL
BALL VALVES
ACCESSORIES
EQUIPMENT AND PARTS



GlobalSpiral™ Couplings

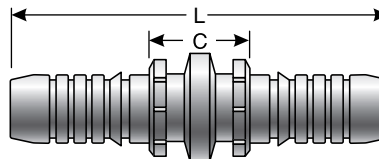
Caterpillar Style O-Ring Flange - 90° Bent Tube

Note: These FLC flanges are designed with a thicker flange head. The 0.56" flange dimension is frequently found on Caterpillar equipment. These flanges let the user utilize the existing Caterpillar flange halves or new Gates Caterpillar flange halves. At the user's option, standard Code 62 flanges and halves can be used in place of Caterpillar flanges and halves. The standard Code 62 flange head thickness ranges between .305" and .495". See Accessories for O-Rings.



Descr.	Prod. No.	⊖		M		T		L		C		F		Weight
		"	mm	"	mm	"	mm	"	mm	"	mm	"	mm	Lbs.
C14 COUPLINGS	12GS-12FLC90-068	3/4	19.1	1.63	41.4	2.68	68.1	4.92	125.0	2.91	73.9	.56	14.2	.88
	12GS-12FLC90-128	3/4	19.1	1.63	41.4	5.04	128.0	4.61	117.1	2.60	66.0	.56	14.2	1.10
PCTS THERMO-PLASTIC COUPLINGS	12GS-16FLC90-068	3/4	19.1	1.88	47.8	2.68	68.1	4.61	117.1	2.60	66.0	.56	14.2	1.01
	16GS-16FLC90-074	1	25.4	1.88	47.8	2.91	73.9	5.16	131.1	2.92	74.2	.56	14.2	1.28
FIELD ATTACHABLE G1 AND G2 COUPLINGS	16GS-16FLC90-132	1	25.4	1.88	47.8	5.20	132.1	5.16	131.1	2.92	74.2	.56	14.2	1.55
	16GS-20FLC90-074	1	25.4	2.13	54.1	2.91	73.9	5.16	131.1	2.92	74.2	.56	14.2	1.41
FIELD ATTACHABLE C5 AND C5E COUPLINGS	16GS-20FLC90-132	1	25.4	2.13	54.1	5.19	131.8	5.15	130.8	2.92	74.2	.56	14.2	1.84
	20GS-20FLC90-077	1 1/4	31.8	2.13	54.1	3.03	77.0	6.54	166.1	3.74	95.0	.56	14.2	2.44
SURELOK AIR BRAKE COUPLINGS	20GS-20FLC90-150	1 1/4	31.8	2.13	54.1	5.90	149.9	9.48	240.8	6.70	170.2	.56	14.2	4.03
	20GS-24FLC90-077	1 1/4	31.8	2.50	63.5	3.03	77.0	6.54	166.1	3.74	95.0	.56	14.2	2.66

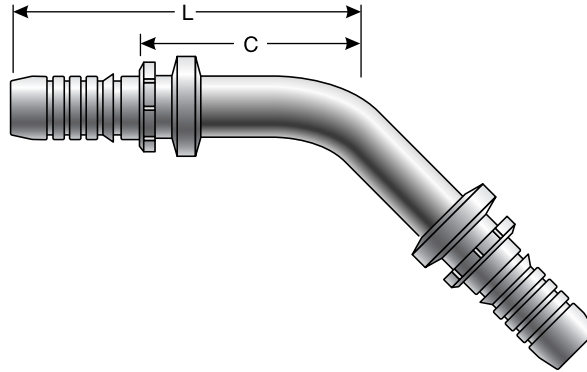
Hose Length Extender



Descr.	Prod. No.	⊖		L		C		Weight
		"	mm	"	mm	"	mm	Lbs.
8GS-8HLE	7347-73265	1/2	12.7	3.70	94.0	.75	19.1	.13
LIVE SWIVEL	12GS-12HLE	3/4	19.1	4.80	121.9	.78	19.8	.03
BALL VALVES	16GS-16HLE	1	25.4	5.43	137.9	.98	24.9	.05
	20GS-20HLE	1 1/4	31.8	6.77	172.0	1.17	29.7	1.15
ACCESSORIES	24GSP-24HLE	1 1/2	38.1	7.33	186.2	1.53	38.9	1.50
	32GSP-32HLE	2	50.8	8.76	222.5	1.52	38.6	2.56

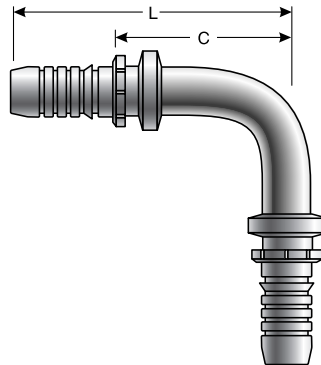
GlobalSpiral™ Couplings

Hose Length Extender - 45° Bent Tube



Descr.	Prod. No.	⊖		L		C		Weight
		"	mm	"	mm	"	mm	Lbs.
20GS-20HLE45-103	7347-78895	1 1/4	31.8	9.80	248.9	6.19	157.2	2.53

Hose Length Extender - 90° Bent Tube



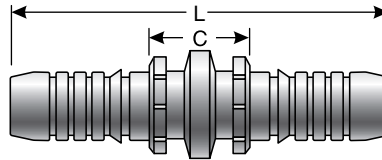
Descr.	Prod. No.	⊖		L		C		Weight
		"	mm	"	mm	"	mm	Lbs.
8GS-8HLE90-086	7347-73195	1/2	12.7	3.39	86.1	1.91	48.5	.35
12GS-12HLE90-112	7347-73965	3/4	19.1	4.39	111.5	2.38	60.5	.90
16GS-16HLE90-127	7347-73705	1	25.4	5.00	127.0	2.76	70.1	1.21
20GS-20HLE90-155	7347-76705	1 1/4	31.8	6.10	154.9	3.30	83.8	.02

EQUIPMENT
HOSE/CPLG. SELECTION
G8K COUPLINGS
GLOBALSPIRAL COUPLINGS
PCM/PCS FERRULES
MEGACRIMP COUPLINGS
STAINLESS STEEL
POWER CRIMP COUPLINGS
LOC, GL AND GLP COUPLINGS
POLARSEAL COUPLINGS
POLARSEAL II COUPLINGS
C14 COUPLINGS
PCTS THERMO-PLASTIC COUPLINGS
FIELD ATTACHABLE G1 AND G2 COUPLINGS
FIELD ATTACHABLE C5 AND C5E COUPLINGS
SURELOK AIR BRAKE COUPLINGS
ADAPTERS
QUICK DISCONNECT COUPLERS
LIVE SWIVEL
BALL VALVES
ACCESSORIES
EQUIPMENT AND PARTS



GlobalSpiral™ Couplings

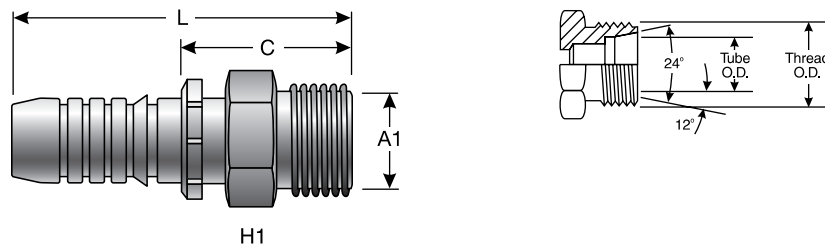
Hose Length Extender Caterpillar



Descr.	Prod. No.	⊖		L		C		Weight
		"	mm	"	mm	"	mm	Lbs.
12GS-12HLEC	7347-76405	3/4	19.1	6.42	163.1	2.40	61.0	.57
16GS-16HLEC	7347-76395	1	25.4	7.09	180.1	2.61	66.3	.85

Male DIN 24° Cone - Light Series

Do not use at a pressure above DIN Light ratings.
Nut Hex per ISO Draft International Standards 12151-2.



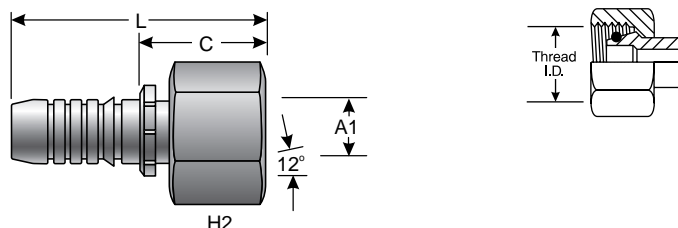
Descr.	Prod. No.	⊖		🌀	H1	H2	L		C		A1	Weight
		"	mm		mm	mm	"	mm	"	mm	mm	Lbs.
6GS-12MDL	7347-93445	3/8	9.5	M18X1.5	22.0	—	2.51	63.8	1.10	27.9	12.0	.09
8GS-15MDL	7347-90625	1/2	12.7	M22X1.5	24.0	—	2.48	63.0	1.00	25.4	15.0	.14
12GS-22MDL	7347-93565	3/4	19.1	M30X2.0	32.0	—	3.13	79.5	1.12	28.5	22.0	.32
16GS-28MDL	7347-91495	1	25.4	M36X2.0	41.0	—	3.54	89.9	1.31	33.3	28.0	.05

- EQUIPMENT
- HOSE/CPLG. SELECTION
- G8K COUPLINGS
- GLOBALSPIRAL COUPLINGS
- PCM/PCS FERRULES
- MEGACRIMP COUPLINGS
- STAINLESS STEEL
- POWER CRIMP COUPLINGS
- LOC, GL AND GLP COUPLINGS
- POLARSEAL COUPLINGS
- POLARSEAL II COUPLINGS
- C14 COUPLINGS
- PCTS THERMO-PLASTIC COUPLINGS
- FIELD ATTACHABLE G1 AND G2 COUPLINGS
- FIELD ATTACHABLE C5 AND C5E COUPLINGS
- SURELOK AIR BRAKE COUPLINGS
- ADAPTERS
- QUICK DISCONNECT COUPLERS
- LIVE SWIVEL
- BALL VALVES
- ACCESSORIES
- EQUIPMENT AND PARTS

GlobalSpiral™ Couplings

Female DIN 24° Cone Swivel - Light Series with O-Ring

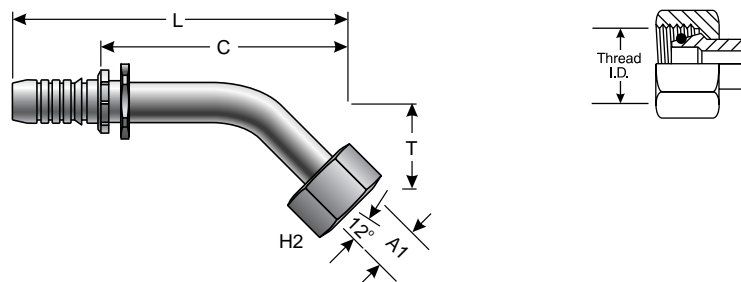
Do not use at a pressure above DIN Light ratings.
Nut Hex per ISO Draft International Standards 12151-2.



Descr.	Prod. No.	⊖		🌀	H1	H2	L		C		A1	Weight
		"	mm				"	mm	"	mm		
6GS-12FDLORX	7347-92815	3/8	9.5	M18X1.5	—	22.0	2.87	72.9	1.46	37.1	12.0	.17
8GS-15FDLORX	7347-90595	1/2	12.7	M22X1.5	—	22.0	2.87	72.9	1.40	35.6	15.0	.43
10GS-18FDLORX	7347-92105	5/8	15.9	M26X1.5	—	32.0	3.61	91.7	1.63	41.4	18.0	.42
12GS-22FDLORX	7347-92125	3/4	19.1	M30X2.0	—	36.0	3.82	97.0	1.81	46.0	22.0	.60
12GS-28FDLORX	7347-92165	3/4	19.1	M36X2.0	—	41.0	3.90	99.1	1.89	48.1	28.0	.70
16GS-28FDLORX	7347-90795	1	25.4	M36X2.0	—	41.0	4.13	104.9	1.91	48.5	28.0	.84
20GS-35FDLORX	7347-94135	1 1/4	31.8	M45X2.0	—	50.0	5.21	132.3	2.41	61.2	35.0	1.49

Female DIN 24° Cone Swivel - Light Series with O-Ring - 45° Bent Tube

Do not use at a pressure above DIN Light ratings.
Nut Hex per ISO Draft International Standards 12151-2.



Descr.	Prod. No.	⊖		🌀	H1	H2	T	L		C		A1	Weight	
		"	mm					"	mm	"	mm			mm
8GS-15FDLORX45	7347-90605	1/2	12.7	M22X1.5	—	27.0	.79	20.1	3.72	94.5	2.25	57.2	15.0	.29
12GS-22FDLORX45	7347-92525	3/4	19.1	M30X2.0	—	36.0	1.17	29.7	5.35	135.9	3.34	84.8	22.0	.07
16GS-28FDLORX45	7347-91525	1	25.4	M36X2.0	—	41.0	1.21	30.7	6.12	155.5	3.90	99.1	28.0	1.20

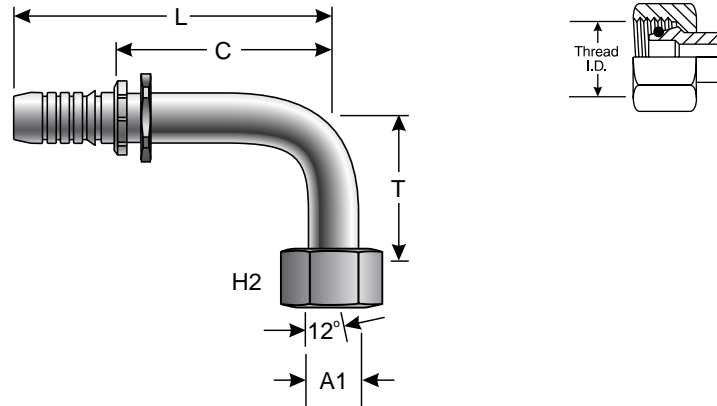
EQUIPMENT
HOSE/CPLG. SELECTION
G8K COUPLINGS
GLOBALSPIRAL COUPLINGS
PCM/PCS FERRULES
MEGACRIMP COUPLINGS
STAINLESS STEEL
POWER CRIMP COUPLINGS
LOC, GL AND GLP COUPLINGS
POLARSEAL COUPLINGS
POLARSEAL II COUPLINGS
C14 COUPLINGS
PCTS THERMO-PLASTIC COUPLINGS
FIELD ATTACHABLE G1 AND G2 COUPLINGS
FIELD ATTACHABLE C5 AND C5E COUPLINGS
SURELOK AIR BRAKE COUPLINGS
ADAPTERS
QUICK DISCONNECT COUPLERS
LIVE SWIVEL
BALL VALVES
ACCESSORIES
EQUIPMENT AND PARTS



GlobalSpiral™ Couplings

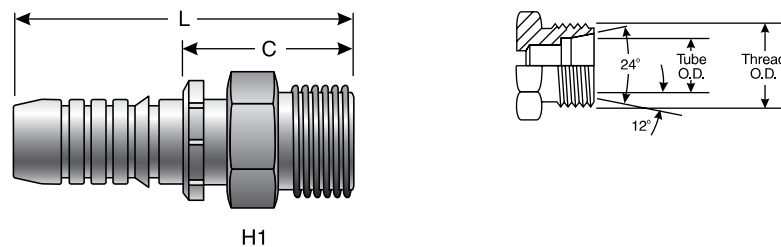
Female DIN 24° Cone Swivel - Light Series with O-Ring - 90° Bent Tube

Do not use at a pressure above DIN Light ratings.
Nut Hex per ISO Draft International Standards 12151-2.



Descr.	Prod. No.	⊖		M	H1	H2	T		L		C		A1	Weight
		"	mm		mm	mm	"	mm	"	mm	"	mm	mm	Lbs.
6GS-12FDLORX90	7347-92455	3/8	9.5	M19X1.5	—	22.0	1.45	36.8	3.07	78.0	1.66	42.2	12.0	.20
8GS-15FDLORX90	7347-90615	1/2	12.7	M22X1.5	—	27.0	1.65	41.9	3.46	87.9	1.98	50.3	15.0	.32
10GS-18FDLORX90	7347-92515	5/8	15.9	M26X1.5	—	32.0	2.03	51.6	4.47	113.5	2.49	63.3	18.0	.27
12GS-22FDLORX90M	7347-92135	3/4	19.1	M30X2.0	—	36.0	2.44	62.0	4.86	123.4	2.86	72.6	22.0	.88
16GS-28FDLORX90M	7347-90765	1	25.4	M36X2.0	—	41.0	2.76	70.1	5.82	147.8	2.71	68.8	28.0	1.39


Male DIN 24° Cone - Heavy Series



Descr.	Prod. No.	⊖		M	H1	H2	L		C		A1	Weight
		"	mm		mm	mm	"	mm	"	mm	mm	Lbs.
6GS-12MDH	7347-01785	3/8	9.5	M20X1.5	22.0	—	2.51	63.8	1.10	27.9	12.0	.10
6GS-14MDH	7347-92675	3/8	9.5	M22X1.5	24.0	—	2.59	65.8	1.18	30.0	14.0	.16
8GS-16MDH	7347-91325	1/2	12.7	M24X1.5	27.0	—	1.17	29.7	1.18	30.0	16.0	.20
10GS-20MDH	7347-92695	5/8	15.9	M30X2.0	32.0	—	3.35	85.1	1.37	34.8	20.0	.16
12GS-20MDH	7347-92255	3/4	19.1	M30X2.0	32.0	—	3.35	85.1	1.34	34.0	20.0	.38
12GS-25MDH	7347-92265	3/4	19.1	M36X2.0	41.0	—	3.50	88.9	1.50	38.1	25.0	.59
12GS-30MDH	7347-93765	3/4	19.1	M42X2.0	46.0	—	3.90	99.1	1.06	26.9	30.0	.86
16GS-25MDH	7347-91505	1	25.4	M36X2.0	41.0	—	3.82	97.0	1.58	40.1	25.0	.03

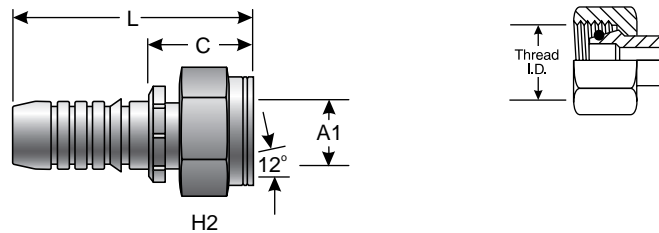
GlobalSpiral™ Couplings

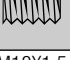
Male DIN 24° Cone - Heavy Series - Cont'd

Descr.	Prod. No.	⊖			H1	H2	L		C		A1	Weight
		"	mm		mm	mm	"	mm	"	mm	mm	Lbs.
16GS-30MDH	7347-91515	1	25.4	M42X2.0	46.0	—	3.90	99.1	1.66	42.2	30.0	.78
20GS-38MDH	7347-93295	1 1/4	31.8	M52X2.0	55.0	—	4.84	122.9	2.04	51.8	38.0	1.54

Female DIN 24° Cone Swivel - Heavy Series with O-Ring

Nut Hex per ISO Draft International Standards 12151-2.



Descr.	Prod. No.	⊖			H1	H2	L		C		A1	Weight
		"	mm		mm	mm	"	mm	"	mm	mm	Lbs.
6GS-10FDHORX	7347-92635	3/8	9.5	M18X1.5	—	22.0	3.24	82.3	1.41	35.8	10.0	.19
6GS-12FDHORX	7347-92645	3/8	9.5	M20X1.5	—	24.0	2.87	72.9	1.46	37.1	12.0	.02
6GS-14FDHORX	7347-92085	3/8	9.5	M22X1.5	—	27.0	2.97	75.4	1.56	39.6	14.0	.26
8GS-12FDHORX	7347-95195	1/2	12.7	M20X1.5	—	24.0	2.87	72.9	1.53	38.9	12.0	.22
8GS-14FDHORX	7347-92095	1/2	12.7	M22X1.5	—	27.0	3.01	76.5	1.53	38.9	14.0	.27
8GS-16FDHORX	7347-91335	1/2	12.7	M24X1.5	—	30.0	3.11	79.0	1.63	41.4	16.0	.32
8GS-20FDHORX	7347-92715	1/2	12.7	M30X2.0	—	36.0	3.11	79.0	1.96	49.9	20.0	.48
10GS-20FDHORX	7347-92115	5/8	15.9	M30X2.0	—	36.0	3.94	100.1	1.96	49.9	20.0	.58
10GS-25FDHORX	7347-93425	5/8	15.9	M36X2.0	—	46.0	4.09	103.9	2.11	53.6	25.0	.95
12GS-20FDHORX	7347-92145	3/4	19.1	M30X2.0	—	36.0	4.06	103.1	2.05	52.1	20.0	.48
12GS-25FDHORX	7347-92155	3/4	19.1	M36X2.0	—	46.0	4.23	107.4	2.22	56.4	25.0	.94
16GS-25FDHORX	7347-91535	1	25.4	M36X2.0	—	46.0	4.57	116.1	2.35	59.7	25.0	1.16
16GS-30FDHORX	7347-90805	1	25.4	M42X2.0	—	50.0	4.65	118.1	2.43	61.7	30.0	1.28
16GS-38FDHORX	7347-94225	1	25.4	M52X2.0	—	60.0	4.40	111.8	2.17	55.1	38.0	1.70
20GS-38FDHORX	7347-93305	1 1/4	31.8	M52X2.0	—	60.0	5.71	145.0	2.91	73.9	38.0	2.23

EQUIPMENT
HOSE/CPLG. SELECTION
G8K COUPLINGS
GLOBALSPIRAL COUPLINGS
PCM/PCS FERRULES
MEGACRIMP COUPLINGS
STAINLESS STEEL
POWER CRIMP COUPLINGS
LOC, GL AND GLP COUPLINGS
POLARSEAL COUPLINGS
POLARSEAL II COUPLINGS
C14 COUPLINGS
PCTS THERMO-PLASTIC COUPLINGS
FIELD ATTACHABLE G1 AND G2 COUPLINGS
FIELD ATTACHABLE C5 AND C5E COUPLINGS
SURELOK AIR BRAKE COUPLINGS
ADAPTERS
QUICK DISCONNECT COUPLERS
LIVE SWIVEL
BALL VALVES
ACCESSORIES
EQUIPMENT AND PARTS

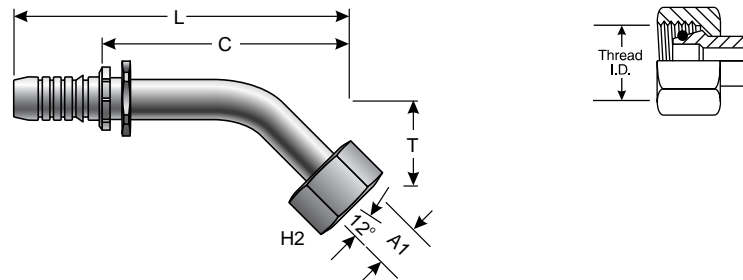


EQUIPMENT
HOSE/CPLG. SELECTION
G8K COUPLINGS
GLOBALSPIRAL COUPLINGS
PCM/PCS FERRULES
MEGACRIMP COUPLINGS
STAINLESS STEEL
POWER CRIMP COUPLINGS
LOC, GL AND GLP COUPLINGS
POLARSEAL COUPLINGS
POLARSEAL II COUPLINGS
C14 COUPLINGS
PCTS THERMO-PLASTIC COUPLINGS
FIELD ATTACHABLE G1 AND G2 COUPLINGS
FIELD ATTACHABLE C5 AND C5E COUPLINGS
SURELOK AIR BRAKE COUPLINGS
ADAPTERS
QUICK DISCONNECT COUPLERS
LIVE SWIVEL
BALL VALVES
ACCESSORIES
EQUIPMENT AND PARTS

GlobalSpiral™ Couplings

Female DIN 24° Cone Swivel - Heavy Series with O-Ring - 45° Bent Tube

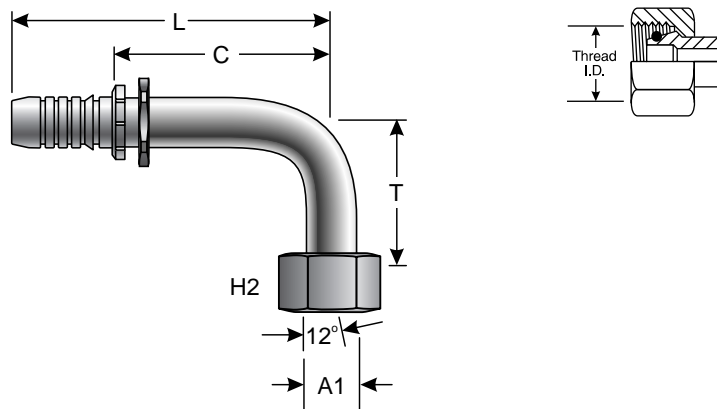
Nut Hex per ISO Draft International Standards 12151-2.



Descr.	Prod. No.	⊖		M	H1	H2	T		L		C		A1	Weight
		"	mm				"	mm	"	mm	"	mm		
6GS-12FDHORX45	7347-92425	3/8	9.5	M20X1.5	—	24.0	2.87	72.9	2.97	75.4	1.41	35.8	12.0	.21
6GS-14FDHORX45	7347-92465	3/8	9.5	M22X1.5	—	27.0	2.97	75.4	3.31	84.1	1.46	37.1	14.0	.27
8GS-16FDHORX45M	7347-91345	1/2	12.7	M24X1.5	—	30.0	.85	21.6	3.70	94.0	2.23	56.6	16.0	.37
10GS-20FDHORX45	7347-92325	5/8	15.9	M30X2.0	—	36.0	.98	24.9	4.79	121.7	2.81	71.4	20.0	.66
12GS-20FDHORX45	7347-93285	3/4	19.1	M30X2.0	—	36.0	1.17	29.7	6.33	160.8	4.33	110.0	20.0	.90
12GS-25FDHORX45M	7347-92175	3/4	19.1	M36X2.0	—	46.0	1.23	31.2	5.31	134.9	3.40	86.4	25.0	1.14
16GS-25FDHORX45M	7347-91545	1	25.4	M36X2.0	—	46.0	1.38	35.1	3.90	99.1	1.66	42.2	25.0	1.41
16GS-30FDHORX45	7347-91565	1	25.4	M42X2.0	—	50.0	1.38	35.1	6.29	159.8	4.07	103.4	30.0	1.45
20GS-38FDHORX45M	7347-93415	1 1/4	31.8	M52X2.0	—	60.0	1.67	42.4	7.72	196.1	4.92	125.0	38.0	3.08

Female DIN 24° Cone Swivel - Heavy Series with O-Ring - 90° Bent Tube


Nut Hex per ISO Draft International Standards 12151-2.



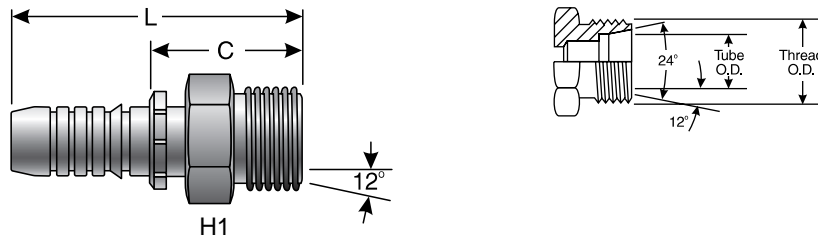
Descr.	Prod. No.	⊖		M	H1	H2	T		L		C		A1	Weight
		"	mm				"	mm	"	mm	"	mm		
6GS-12FDHORX90	7347-92435	3/8	9.5	M20X1.5	—	24.0	1.45	36.8	3.07	78.0	1.46	37.1	12.0	.23


GlobalSpiral™ Couplings

Female DIN 24° Cone Swivel - Heavy Series with O-Ring - 90° Bent Tube - Cont'd

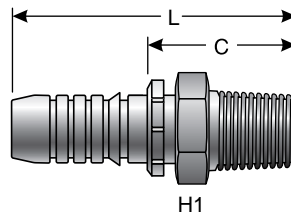
Descr.	Prod. No.	⊖			H1	H2	T		L		C		A1	Weight
		"	mm		mm	mm	"	mm	"	mm	"	mm	mm	Lbs.
6GS-14FDHORX90	7347-92475	3/8	9.5	M22X1.5	—	27.0	1.57	39.9	3.07	78.0	1.66	42.2	14.0	.28
8GS-16FDHORX90M	7347-91485	1/2	12.7	M24X1.5	—	30.0	1.73	43.9	3.39	86.1	1.91	48.5	16.0	.40
10GS-20FDHORX90M	7347-92335	5/8	15.9	M30X2.0	—	36.0	2.01	51.1	4.43	112.5	2.45	62.2	20.0	.73
12GS-20FDHORX90M	7347-92185	3/4	19.1	M30X2.0	—	36.0	2.44	62.0	4.86	123.4	2.85	72.4	20.0	.87
12GS-25FDHORX90M	7347-92195	3/4	19.1	M36X2.0	—	46.0	2.52	64.0	4.86	123.4	2.85	72.4	25.0	1.14
16GS-25FDHORX90	7347-91555	1	25.4	M36X2.0	—	46.0	2.99	76.0	5.94	150.9	3.72	94.5	25.0	1.66
16GS-30FDHORX90M	7347-90775	1	25.4	M42X2.0	—	50.0	2.99	76.0	5.81	147.6	3.59	91.2	30.0	1.80
20GS-38FDHORX90M	7347-93315	1 1/4	31.8	M52X2.0	—	60.0	3.43	87.1	7.11	180.6	4.31	109.5	38.0	3.34

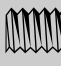
Male Kobelco Style



Descr.	Prod. No.	⊖			H1	H2	L		C		Weight
		"	mm		mm	mm	"	mm	"	mm	Lbs.
12GS-22MKB	7347-73665	3/4	19.1	M30X2.0	36.0	—	3.35	85.1	1.34	34.0	.42
12GS-28MKB	7347-73675	3/4	19.1	M36X1.5	41.0	—	3.62	92.0	1.61	40.9	.66
16GS-28MKB	7347-73095	1	25.4	M36X1.5	50.0	—	3.98	101.1	1.74	44.2	.97
16GS-35MKB	7347-73025	1	25.4	M45X1.5	50.0	—	3.74	95.0	1.50	38.1	.73

Male British Standard Pipe Tapered



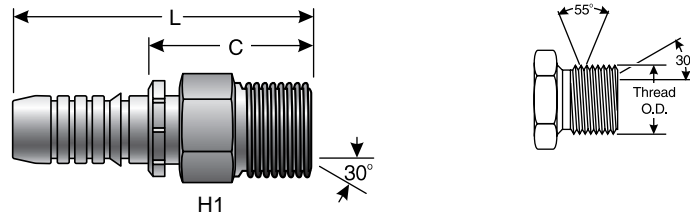
Descr.	Prod. No.	⊖			H1	H2	L		C		Weight
		"	mm		mm	mm	"	mm	"	mm	Lbs.
24GSP-24MBSPT	7347-95235	1 1/2	38.1	1 1/2-11	55.0	—	5.12	130.1	2.22	56.4	1.50

EQUIPMENT
HOSE/CPLG. SELECTION
G8K COUPLINGS
GLOBALSPIRAL COUPLINGS
PCM/PCS FERRULES
MEGACRIMP COUPLINGS
STAINLESS STEEL
POWER CRIMP COUPLINGS
LOC, GL AND GLP COUPLINGS
POLARSEAL COUPLINGS
POLARSEAL II COUPLINGS
C14 COUPLINGS
PCTS THERMO-PLASTIC COUPLINGS
FIELD ATTACHABLE G1 AND G2 COUPLINGS
FIELD ATTACHABLE C5 AND C5E COUPLINGS
SURELOK AIR BRAKE COUPLINGS
ADAPTERS
QUICK DISCONNECT COUPLERS
LIVE SWIVEL
BALL VALVES
ACCESSORIES
EQUIPMENT AND PARTS



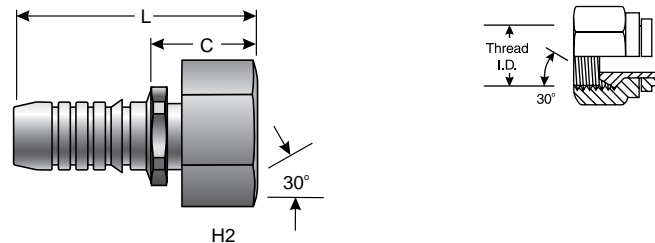
GlobalSpiral™ Couplings

Male British Standard Pipe Parallel



Descr.	Prod. No.	⊖		🌀	H1	H2	L		C		Weight
		"	mm		mm	mm	mm	"	mm	"	mm
6GS-6MBSPP	7347-01775	3/8	9.5	3/8-19	22.0	—	2.48	63.0	1.07	27.2	.11
8GS-8MBSPP	7347-91365	1/2	12.7	1/2-14	27.0	—	2.66	67.6	1.81	46.0	.19
10GS-10MBSPP	7347-92615	5/8	15.9	5/8-14	30.0	—	2.66	67.6	1.18	30.0	.29
10GS-12MBSPP	7347-92625	5/8	15.9	3/4-14	32.0	—	3.35	85.1	1.37	34.8	.34
12GS-12MBSPP	7347-92205	3/4	19.1	3/4-14	32.0	—	3.35	85.1	1.37	34.8	.36
16GS-16MBSPP	7347-90825	1	25.4	1-11	41.0	—	3.86	98.1	1.62	41.2	.60
20GS-20MBSPP	7347-93365	1 1/4	31.8	1 1/4-11	50.0	—	4.65	118.1	1.85	47.0	1.21

Female British Standard Parallel Pipe O-Ring Swivel

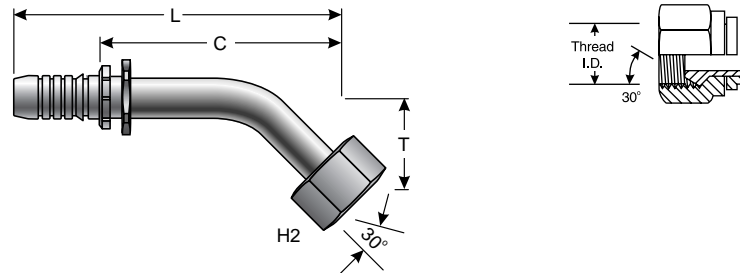


Descr.	Prod. No.	⊖		🌀	H1	H2	L		C		Weight
		"	mm		mm	mm	mm	"	mm	"	mm
6GS-6FBSPORX	7347-92235	3/8	9.5	3/8-19	—	22.0	2.34	59.4	.93	23.6	.14
6GS-8FBSPORX	7347-92705	3/8	9.5	1/2-14	—	27.0	2.40	61.0	.93	23.6	.19
8GS-8FBSPORX	7347-91405	1/2	12.7	1/2-14	—	27.0	2.40	61.0	.93	23.6	.22
10GS-10FBSPORX	7347-92405	5/8	15.9	5/8-14	—	30.0	3.35	85.1	1.18	30.0	.37
10GS-12FBSPORX	7347-93965	5/8	15.9	3/4-14	—	30.0	3.35	85.1	1.37	34.8	.42
12GS-12FBSPORX	7347-93995	3/4	19.1	3/4-14	—	32.0	3.41	86.6	1.40	35.6	.48
12GS-16FBSPORX	7347-92585	3/4	19.1	1-11	—	41.0	3.74	95.0	1.40	35.6	.07
16GS-16FBSPORX	7347-90815	1	25.4	1-11	—	41.0	3.74	95.0	1.52	38.6	.84
16GS-20FBSPORX	7347-94195	1	25.4	1 1/2	—	50.0	3.27	83.1	1.03	26.2	.83
20GS-20FBSPORX	7347-93375	1 1/4	31.8	1 1/4-11	—	50.0	4.59	116.6	1.79	45.5	1.47
24GSP-24FBSPORX	7347-95025	1 1/2	38.1	1 1/2-11	—	55.0	4.92	125.0	2.01	51.1	1.95
32GSP-32FBSPORX	7347-95105	2	50.8	2-11	—	70.0	5.98	151.9	2.36	59.9	—

GlobalSpiral™ Couplings

Female British Standard Parallel Pipe O-Ring Swivel - 45° Bent Tube

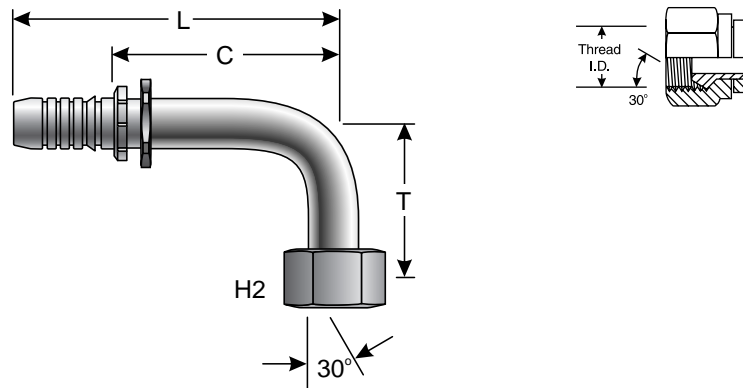
S, M and L Drops and Hex per ISO Working Draft 12151-6.



Descr.	Prod. No.	⊖		🌀	H1	H2	T		L		C		Weight
		"	mm				"	mm	"	mm	"	mm	
6GS-6FBSPORX45M	7347-92345	3/8	9.5	3/8-19	—	22.0	.61	15.5	3.27	83.1	1.86	47.2	.18
8GS-8FBSPORX45M	7347-91415	1/2	12.7	1/2-14	—	27.0	.67	17.0	3.60	91.4	2.13	54.1	.43
10GS-10FBSPORX45	7347-92285	5/8	15.9	5/8-14	—	30.0	1.04	26.4	4.20	106.7	2.25	57.2	.50
12GS-12FBSPORX45M	7347-92245	3/4	19.1	3/4-14	—	32.0	1.11	28.2	5.29	134.4	3.28	83.3	.73
16GS-16FBSPORX45M	7347-92275	1	25.4	1-11	—	41.0	1.22	31.0	6.12	155.5	3.90	99.1	1.25
20GS-20FBSPORX45M	7347-93395	1 1/4	31.8	1 1/4-11	—	50.0	1.48	37.6	7.52	191.0	4.72	119.9	2.42
24GSP-24FBSPORX45	7347-95035	1 1/2	38.1	1 1/2-11	—	55.0	1.96	49.8	8.44	214.4	5.54	140.7	3.00
32GSP-32FBSPORX45	7347-95115	2	50.8	2-11	—	70.0	2.45	62.2	10.87	276.1	7.24	183.9	6.25

Female British Standard Parallel Pipe O-Ring Swivel - 90° Bent Tube

S, M and L Drops and Hex per ISO Working Draft 12151-6.



Descr.	Prod. No.	⊖		🌀	H1	H2	T		L		C		Weight
		"	mm				"	mm	"	mm	"	mm	
6GS-6FBSPORX90M	7347-92355	3/8	9.5	3/8-19	—	22.0	1.26	32.0	3.07	78.0	1.66	42.2	.19
8GS-8FBSPORX90M	7347-91425	1/2	12.7	1/2-14	—	27.0	1.48	37.6	3.46	87.9	1.99	50.6	.32
10GS-10FBSPORX90	7347-92295	5/8	15.9	5/8-14	—	30.0	1.90	48.3	4.70	119.4	2.45	62.2	.55

EQUIPMENT
HOSE/CPLG. SELECTION
G8K COUPLINGS
GLOBALSPIRAL COUPLINGS
PCM/PCS FERRULES
MEGACRIMP COUPLINGS
STAINLESS STEEL
POWER CRIMP COUPLINGS
LOC, GL AND GLP COUPLINGS
POLARSEAL COUPLINGS
POLARSEAL II COUPLINGS
C14 COUPLINGS
PCTS THERMO-PLASTIC COUPLINGS
FIELD ATTACHABLE G1 AND G2 COUPLINGS
FIELD ATTACHABLE C5 AND C5E COUPLINGS
SURELOK AIR BRAKE COUPLINGS
ADAPTERS
QUICK DISCONNECT COUPLERS
LIVE SWIVEL
BALL VALVES
ACCESSORIES
EQUIPMENT AND PARTS

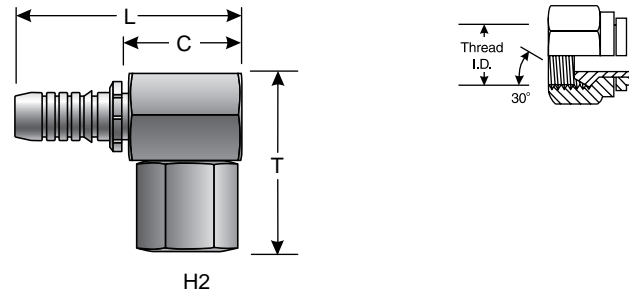


GlobalSpiral™ Couplings

Female British Standard Parallel Pipe O-Ring Swivel - 90° Bent Tube - Cont'd

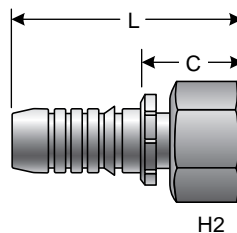
Descr.	Prod. No.	⊖			H1	H2	T		L		C		Weight
		"	mm		mm	mm	"	mm	"	mm	"	mm	Lbs.
12GS-12FBSPORX90M	7347-92225	3/4	19.1	3/4-14	—	32.0	2.36	59.9	4.86	123.4	2.85	72.4	.82
16GS-16FBSPORX90M	7347-90785	1	25.4	1-11	—	41.0	2.76	70.1	5.81	147.6	3.59	91.2	1.44
20GS-20FBSPORX90M	7347-93405	1 1/4	31.8	1 1/4-11	—	50.0	3.15	80.0	7.11	180.6	4.31	109.5	2.77
24GSP-24FBSPORX90	7347-95045	1 1/2	38.1	1 1/2-11	—	55.0	3.93	99.8	7.66	194.6	4.75	120.7	3.40
32GSP-32FBSPORX90	7347-95125	2	50.8	2-11	—	70.0	5.08	129.0	10.02	254.5	6.40	162.6	7.17

Female British Standard Pipe Parallel O-Ring Swivel - 90° Block



Descr.	Prod. No.	⊖			H1	H2	T		L		C		Weight
		"	mm		mm	mm	"	mm	"	mm	"	mm	Lbs.
12GS-12FBSPORX90BL	7347-93955	3/4	19.1	3/4-14	—	32.0	1.53	38.9	3.07	78.0	1.06	26.9	1.00

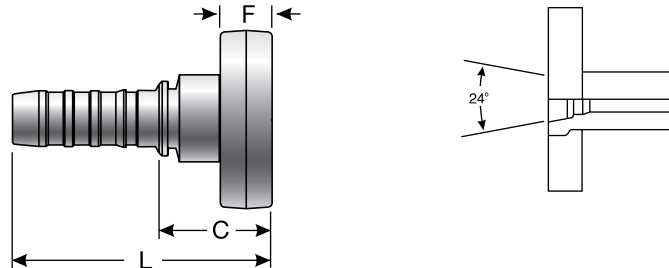
Female British Flat Face Swivel



Descr.	Prod. No.	⊖			H1	H2	L		C		Weight
		"	mm		mm	mm	"	mm	"	mm	Lbs.
16GS-16FBFFX	7347-78915	1	25.4	1-11	—	41.0	3.78	96.0	1.56	39.6	1.01

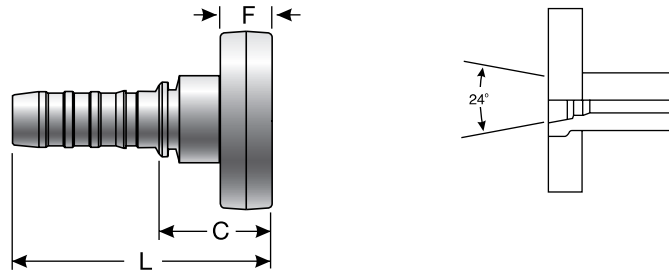
GlobalSpiral™ Couplings

Female French GAZ (Poclain) 24° High Pressure Flange



Descr.	Prod. No.	⊖		L		C		F		Weight
		"	mm	"	mm	"	mm	"	mm	Lbs.
8GS-17FPFL	7347-93215	1/2	12.7	2.72	69.1	1.24	31.5	.56	14.2	.05
10GS-21FPFL	7347-92995	5/8	15.9	3.35	85.1	1.37	34.8	.56	14.2	.06
12GS-27FPFL	7347-93065	3/4	19.1	3.58	90.9	1.57	39.9	.56	14.2	.10
16GS-34FPFL	7347-93165	1	25.4	4.02	102.1	1.78	45.2	.56	14.2	.17
20GS-42FPFL	7347-93465	1 1/4	31.8	5.24	133.1	2.44	62.0	.56	14.2	.28

Male French GAZ (Poclain) 24° High Pressure Flange



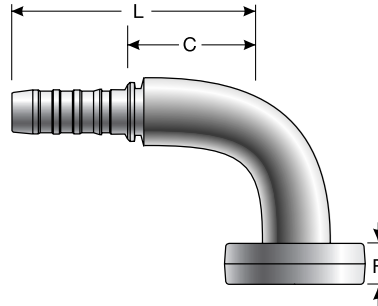
Descr.	Prod. No.	⊖		L		C		F		Weight
		"	mm	"	mm	"	mm	"	mm	Lbs.
8GS-17MPFL	7347-93225	1/2	12.7	3.11	79.0	1.63	41.4	.56	14.2	.64
10GS-21MPFL	7347-93005	5/8	15.9	3.27	83.1	1.29	32.8	.56	14.2	.73
12GS-27MPFL	7347-93085	3/4	19.1	4.02	102.1	2.01	51.1	.56	14.2	1.30
16GS-34MPFL	7347-93185	1	25.4	4.51	114.6	2.27	57.7	.56	14.2	2.10
20GS-42MPFL	7347-93475	1 1/4	31.8	6.77	172.0	3.96	100.6	.56	14.2	4.27

EQUIPMENT
HOSE/CPLG. SELECTION
G8K COUPLINGS
GLOBALSPIRAL COUPLINGS
PCM/PCS FERRULES
MEGACRIMP COUPLINGS
STAINLESS STEEL
POWER CRIMP COUPLINGS
LOC, GL AND GLP COUPLINGS
POLARSEAL COUPLINGS
POLARSEAL II COUPLINGS
C14 COUPLINGS
PCTS THERMO-PLASTIC COUPLINGS
FIELD ATTACHABLE G1 AND G2 COUPLINGS
FIELD ATTACHABLE C5 AND C5E COUPLINGS
SURELOK AIR BRAKE COUPLINGS
ADAPTERS
QUICK DISCONNECT COUPLERS
LIVE SWIVEL
BALL VALVES
ACCESSORIES
EQUIPMENT AND PARTS



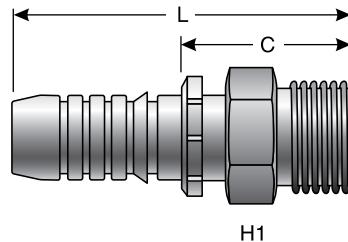
GlobalSpiral™ Couplings

Male French GAZ (Poclain) 24° High Pressure Flange - 90° Bent Tube



Descr.	Prod. No.	⊖		T		L		C		F		Weight Lbs.
		"	mm	"	mm	"	mm	"	mm	"	mm	
10GS-21MPFL90	7347-93045	5/8	15.9	2.27	57.7	3.62	92.0	1.64	41.7	.56	14.2	.78
20GS-32MPFL90	7347-93485	1 1/4	31.8	3.51	89.2	5.90	149.9	3.09	78.5	.56	14.2	3.77

Male French GAZ

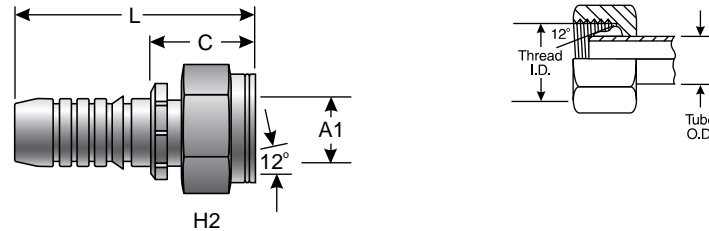


Descr.	Prod. No.	⊖		🌀	H1	H2	L		C		Weight Lbs.
		"	mm		mm	mm	"	mm	"	mm	
8GS-17MFG	7347-90655	1/2	12.7	M24X1.5	26.0	—	2.61	66.3	1.14	29.0	.18
12GS-21MFG	7347-94075	3/4	19.1	M30X1.5	32.0	—	3.23	82.0	1.22	31.0	.35
12GS-27MFG	7347-93055	3/4	19.1	M36X1.5	42.0	—	3.33	84.6	1.32	33.5	.54
16GS-34MFG	7347-93155	1	25.4	M45X1.5	50.0	—	3.70	94.0	1.46	37.1	.73

- EQUIPMENT
- HOSE/CPLG. SELECTION
- G8K COUPLINGS
- GLOBALSPIRAL COUPLINGS**
- PCM/PCS FERRULES
- MEGACRIMP COUPLINGS
- STAINLESS STEEL
- POWER CRIMP COUPLINGS
- LOC, GL AND GLP COUPLINGS
- POLARSEAL COUPLINGS
- POLARSEAL II COUPLINGS
- C14 COUPLINGS
- PCTS THERMO-PLASTIC COUPLINGS
- FIELD ATTACHABLE G1 AND G2 COUPLINGS
- FIELD ATTACHABLE C5 AND C5E COUPLINGS
- SURELOK AIR BRAKE COUPLINGS
- ADAPTERS
- QUICK DISCONNECT COUPLERS
- LIVE SWIVEL
- BALL VALVES
- ACCESSORIES
- EQUIPMENT AND PARTS

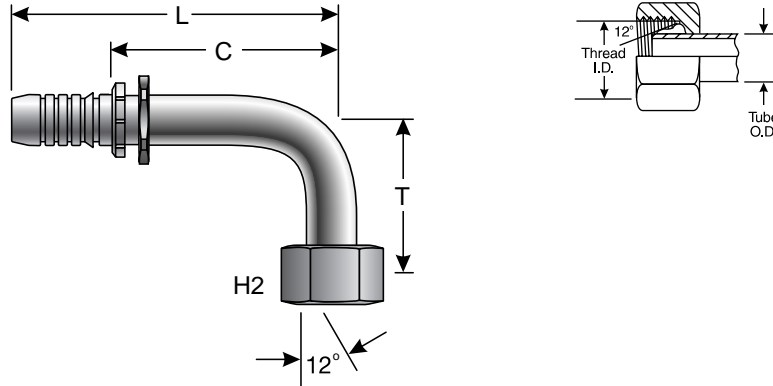
GlobalSpiral™ Couplings

Female French GAZ Swivel (Female Kobelco)



Descr.	Prod. No.	⊖		🌀	H1	H2	L		C		A1	Weight
		"	mm				"	mm	"	mm		
8GS-17FFGX	7347-90665	1/2	12.7	M24X1.5	—	30.0	2.68	68.1	1.20	30.5	16.8	.30
10GS-21FFGX	7347-93025	5/8	15.9	M30X1.5	—	36.0	3.44	87.4	1.44	36.6	21.3	.48
12GS-21FFGX	7347-94715	3/4	19.1	M30X1.5	—	36.0	3.27	83.1	1.29	32.8	21.3	.50
12GS-27FFGX	7347-93075	3/4	19.1	M36X1.5	—	41.0	3.41	86.6	1.40	35.6	26.6	.07
16GS-27FFGX	7347-94725	1	25.4	M36X1.5	—	41.0	3.41	86.6	1.40	35.6	26.6	.70
16GS-34FFGX	7347-93175	1	25.4	M45X1.5	—	55.0	3.76	95.5	1.54	39.1	33.5	1.00

Female French GAZ Swivel - 90° Bent Tube



Descr.	Prod. No.	⊖		🌀	H1	H2	T		L		C		Weight
		"	mm				"	mm	"	mm	"	mm	
10GS-21FFGX90	7347-93035	5/8	15.9	M30X1.5	—	36.0	1.77	45.0	3.62	92.0	1.64	41.7	.53
12GS-21FFGX90	7347-94735	3/4	19.1	M30X1.5	—	36.0	2.00	50.8	4.91	124.7	2.90	73.7	.74
12GS5K-27FFGX90-060	7347-78645	3/4	19.1	M36X1.5	—	41.0	2.36	59.9	4.91	124.7	2.90	73.7	.91
16GS-27FFGX90	7347-94745	1	25.4	M30X1.5	—	41.0	2.64	67.1	5.94	150.9	3.72	94.5	1.36
16GS5K-34FFGX90-065	7347-78655	1	25.4	M45X1.5	—	55.0	2.56	65.0	5.67	144.0	3.45	87.6	1.71

EQUIPMENT

HOSE/CPLG. SELECTION

G8K COUPLINGS

GLOBALSPIRAL COUPLINGS

PCM/PCS FERRULES

MEGACRIMP COUPLINGS

STAINLESS STEEL

POWER CRIMP COUPLINGS

LOC, GL AND GLP COUPLINGS

POLARSEAL COUPLINGS

POLARSEAL II COUPLINGS

C14 COUPLINGS

PCTS THERMO-PLASTIC COUPLINGS

FIELD ATTACHABLE G1 AND G2 COUPLINGS

FIELD ATTACHABLE C5 AND C5E COUPLINGS

SURELOK AIR BRAKE COUPLINGS

ADAPTERS

QUICK DISCONNECT COUPLERS

LIVE SWIVEL

BALL VALVES

ACCESSORIES

EQUIPMENT AND PARTS



Powering Progress.

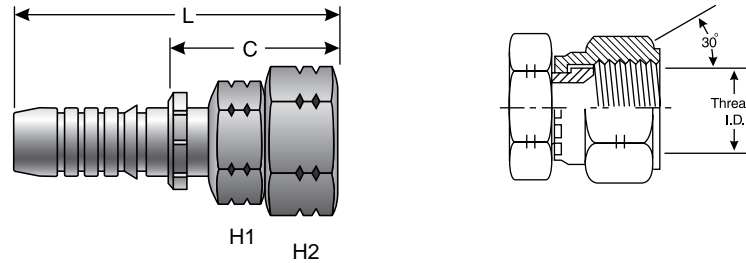
gates.com/hydraulics

E45

GlobalSpiral™ Couplings

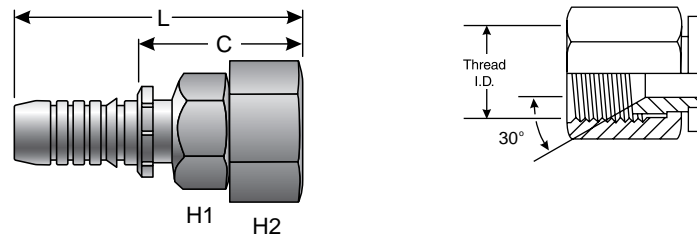
Female Komatsu Style Japanese Metric Swivel

These female swivels have been marked with two small notches on the hex to identify them as the Komatsu style.



Descr.	Prod. No.	⊖		🌀	H1	H2	L		C		Weight
		"	mm		mm	mm	"	mm	"	mm	Lbs.
8GS-8FKX	7347-35245	1/2	12.7	M22X1.5	27.0	27.0	2.93	74.4	1.46	37.1	.22
10GS-10FKX	7347-35345	5/8	15.9	M24X1.5	30.0	32.0	3.74	95.0	1.76	44.7	.45
12GS-12FKX	7347-35445	3/4	19.1	M30X1.5	32.0	36.0	4.00	101.6	2.00	50.8	.64
16GS-16FKX	7347-35555	1	25.4	M33X1.5	41.0	41.0	4.51	114.6	2.29	58.2	.90
24GSP-24FKX	7347-35725	1 1/2	38.1	M42X1.5	49.0	59.0	5.81	147.6	2.92	74.2	2.10

Female Japanese Industrial Standard 30° Flare Swivel



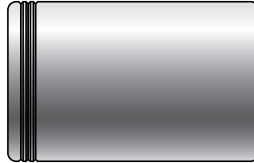
Descr.	Prod. No.	⊖		🌀	H1	H2	L		C		Weight
		"	mm		mm	mm	"	mm	"	mm	Lbs.
12GS-12FJISX	7347-76195	3/4	19.1	3/4-14	32.0	36.0	3.87	98.3	1.86	47.2	.64
16GS-16FJISX	7347-76005	1	25.4	1-11	41.0	41.0	4.25	108.0	2.03	51.6	.86
20GS-20FJISX	7347-76235	1 1/4	31.8	1 1/4-11	27.0	50.0	5.35	135.9	2.56	65.0	.16
24GSP-24FJISX	7347-79345	1 1/2	38.1	1 1/2-11	54.0	54.0	5.61	142.5	2.72	69.1	1.84

- EQUIPMENT
- HOSE/CPLG. SELECTION
- G8K COUPLINGS
- GLOBALSPIRAL COUPLINGS
- PCM/PCS FERRULES
- MEGACRIMP COUPLINGS
- STAINLESS STEEL
- POWER CRIMP COUPLINGS
- LOC, GL AND GLP COUPLINGS
- POLARSEAL COUPLINGS
- POLARSEAL II COUPLINGS
- C14 COUPLINGS
- PCTS THERMO-PLASTIC COUPLINGS
- FIELD ATTACHABLE G1 AND G2 COUPLINGS
- FIELD ATTACHABLE C5 AND C5E COUPLINGS
- SURELOK AIR BRAKE COUPLINGS
- ADAPTERS
- QUICK DISCONNECT COUPLERS
- LIVE SWIVEL
- BALL VALVES
- ACCESSORIES
- EQUIPMENT AND PARTS

GlobalSpiral™ Couplings

GS Ferrule for Wire Braid Hose

Consult eCrimp for wire braid types and sizes.



Descr.	Prod. No.	⊖		L		⊕		Weight Lbs.
		"	mm	"	mm	"	mm	
6GS1F-1	7347-02875	3/8	9.5	1.20	30.5	.96	24.4	.08
6GS1F-2	7347-02945	3/8	9.5	1.20	30.5	1.06	26.9	.10
8GS1F-2	7347-02955	1/2	12.7	1.47	37.3	1.15	29.2	.10
10GS1F-2	7347-02965	5/8	15.9	1.40	35.6	1.33	33.8	.13
12GS1F-2	7347-02975	3/4	19.1	1.73	44.0	1.57	39.9	.23
16GS1F-2	7347-02985	1	25.4	2.06	52.3	1.94	49.3	.39
20GS1F-2	7347-02995	1 1/4	31.8	2.41	61.2	2.37	60.2	.63

GSP Ferrule for Wire Braid Hose



Descr.	Prod. No.	⊖		L		⊕		Weight Lbs.
		"	mm	"	mm	"	mm	
24GSP1F-2	7347-03165	1 1/2	38.1	2.98	75.7	2.76	70.1	1.08
32GSP1F-2	7347-03185	2	50.8	3.54	89.9	3.29	83.6	1.56

GS Ferrule for 4-Spiral Hose



Descr.	Prod. No.	⊖		L		⊕		Weight Lbs.
		"	mm	"	mm	"	mm	
6GS1F-4	7347-03105	3/8	9.5	1.43	36.3	1.25	31.8	.18
8GS1F-4	7347-03115	1/2	12.7	1.44	36.9	1.35	34.3	.18
10GS1F-4	7347-03125	5/8	15.9	1.88	47.8	1.64	41.7	.28
12GS1F-4	7347-03135	3/4	19.1	2.00	50.8	1.80	45.7	.40

EQUIPMENT
HOSE/CPLG. SELECTION
G8K COUPLINGS
GLOBALSPIRAL COUPLINGS
PCM/PCS FERRULES
MEGACRIMP COUPLINGS
STAINLESS STEEL
POWER CRIMP COUPLINGS
LOC, GL AND GLP COUPLINGS
POLARSEAL COUPLINGS
POLARSEAL II COUPLINGS
C14 COUPLINGS
PCTS THERMO-PLASTIC COUPLINGS
FIELD ATTACHABLE G1 AND G2 COUPLINGS
FIELD ATTACHABLE C5 AND C5E COUPLINGS
SURELOK AIR BRAKE COUPLINGS
ADAPTERS
QUICK DISCONNECT COUPLERS
LIVE SWIVEL
BALL VALVES
ACCESSORIES
EQUIPMENT AND PARTS



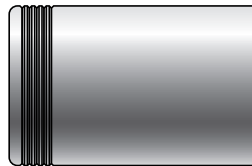
GlobalSpiral™ Couplings

- EQUIPMENT
- HOSE/CPLG. SELECTION
- G8K COUPLINGS
- GLOBALSPIRAL COUPLINGS**
- PCM/PCS FERRULES
- MEGACRIMP COUPLINGS
- STAINLESS STEEL
- POWER CRIMP COUPLINGS
- LOC, GL AND GLP COUPLINGS
- POLARSEAL COUPLINGS
- POLARSEAL II COUPLINGS
- C14 COUPLINGS
- PCTS THERMO-PLASTIC COUPLINGS
- FIELD ATTACHABLE G1 AND G2 COUPLINGS
- FIELD ATTACHABLE C5 AND C5E COUPLINGS
- SURELOK AIR BRAKE COUPLINGS
- ADAPTERS
- QUICK DISCONNECT COUPLERS
- LIVE SWIVEL
- BALL VALVES
- ACCESSORIES
- EQUIPMENT AND PARTS

GS Ferrule for 4-Spiral Hose - Cont'd

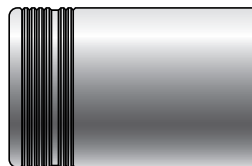
Descr.	Prod. No.	⊖		L		⊕		Weight
		"	mm	"	mm	"	mm	
16GS1F-4	7347-03145	1	25.4	2.22	56.4	2.07	52.6	.55
20GS1F-4	7347-03155	1 1/4	31.8	2.67	67.8	2.42	61.5	.75

GSP Ferrule for 4-Spiral Hose



Descr.	Prod. No.	⊖		L		⊕		Weight
		"	mm	"	mm	"	mm	
24GSP1F-4	7347-03175	1 1/2	38.1	3.01	76.5	2.83	71.9	1.36
32GSP1F-4	7347-03195	2	50.8	3.58	90.9	3.35	85.1	1.74

GS Ferrule for 6-Spiral Hose

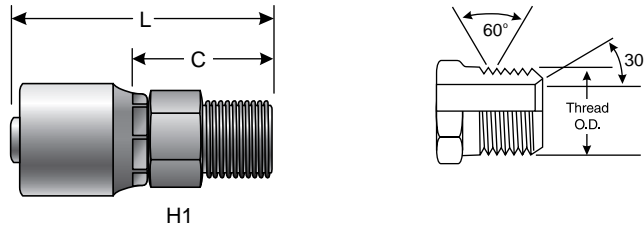


Descr.	Prod. No.	⊖		L		⊕		Weight
		"	mm	"	mm	"	mm	
20GS1F-6	7347-02905	1 1/4	31.8	2.87	72.9	2.67	67.8	1.05

GlobalSpiral™ Couplings

1 1/4" Special One-Piece Couplings - Male Pipe (NPTF - 30° Cone Seat)

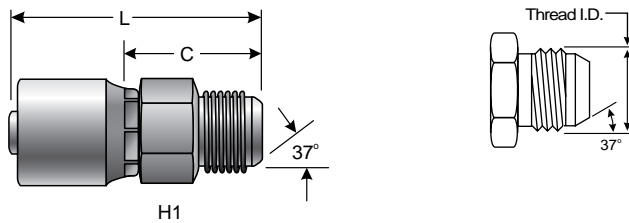
MGS Couplings for use with MC4-20 Crimper Only.



Descr.	Prod. No.	⊖		🌀	H1	H2	L		C		Weight
		"	mm		"	"	"	mm	"	mm	Lbs.
20MGS-20MP	7347-86005	1 1/4	31.8	1 1/4-11 1/2	1 3/4	—	5.00	127.0	2.20	55.9	.18

1 1/4" Special One-Piece Couplings - Male JIC 37° Flare

MGS Couplings for use with MC4-20 Crimper Only.



Descr.	Prod. No.	⊖		🌀	H1	H2	L		C		Weight
		"	mm		"	"	"	mm	"	mm	Lbs.
20MGS-20MJ	7347-86015	1 1/4	31.8	1 5/8-12	1 3/4	—	4.92	125.0	2.12	53.9	.18

EQUIPMENT
HOSE/CPLG. SELECTION
G8K COUPLINGS
GLOBALSPIRAL COUPLINGS
PCM/PCS FERRULES
MEGACRIMP COUPLINGS
STAINLESS STEEL
POWER CRIMP COUPLINGS
LOC, GL AND GLP COUPLINGS
POLARSEAL COUPLINGS
POLARSEAL II COUPLINGS
C14 COUPLINGS
PCTS THERMO-PLASTIC COUPLINGS
FIELD ATTACHABLE G1 AND G2 COUPLINGS
FIELD ATTACHABLE C5 AND C5E COUPLINGS
SURELOK AIR BRAKE COUPLINGS
ADAPTERS
QUICK DISCONNECT COUPLERS
LIVE SWIVEL
BALL VALVES
ACCESSORIES
EQUIPMENT AND PARTS



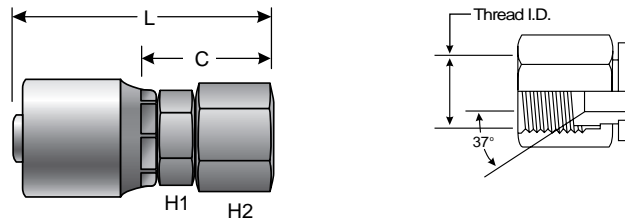


EQUIPMENT
HOSE/CPLG. SELECTION
G8K COUPLINGS
GLOBALSPIRAL COUPLINGS
PCM/PCS FERRULES
MEGACRIMP COUPLINGS
STAINLESS STEEL
POWER CRIMP COUPLINGS
LOC, GL AND GLP COUPLINGS
POLARSEAL COUPLINGS
POLARSEAL II COUPLINGS
C14 COUPLINGS
PCTS THERMO-PLASTIC COUPLINGS
FIELD ATTACHABLE G1 AND G2 COUPLINGS
FIELD ATTACHABLE C5 AND C5E COUPLINGS
SURELOK AIR BRAKE COUPLINGS
ADAPTERS
QUICK DISCONNECT COUPLERS
LIVE SWIVEL
BALL VALVES
ACCESSORIES
EQUIPMENT AND PARTS

GlobalSpiral™ Couplings

1 1/4" Special One-Piece Couplings - Female JIC 37° Flare Swivel

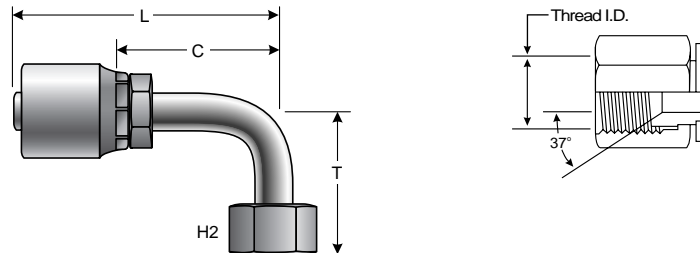
MGS Couplings for use with MC4-20 Crimper Only.



Descr.	Prod. No.	⊖		🌀	H1	H2	L		C		Weight
		"	mm		"	"	"	mm	"	mm	Lbs.
20MGS-20FJX	7347-86025	1 1/4	31.8	1 5/8-12	1 7/8	2	5.35	135.9	2.56	65.0	2.48

1 1/4" Special One-Piece Couplings - Female JIC 37° Flare Swivel - 90° Bent Tube

MGS Couplings for use with MC4-20 Crimper Only.



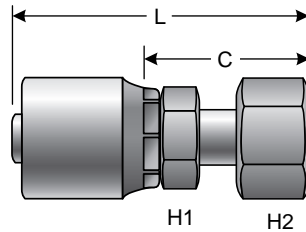
Descr.	Prod. No.	⊖		🌀	H1	H2	T	L		C		Weight	
		"	mm		"	"	"	mm	"	mm	"	mm	Lbs.
20MGS-20FJX90M-078	7347-86035	1 1/4	31.8	1 5/8-12	—	2	3.07	78.0	6.85	174.0	4.05	102.9	3.35

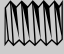


GlobalSpiral™ Couplings

1 1/4" Special One-Piece Couplings - Female Flat-Face O-Ring Swivel

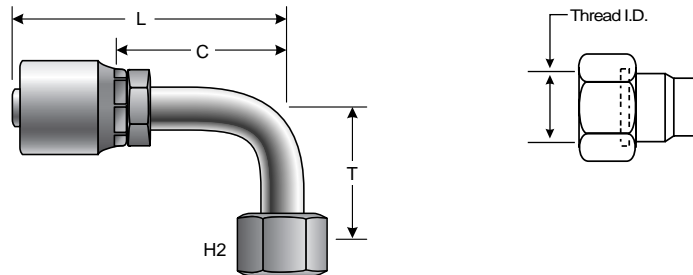
MGS Couplings for use with MC4-20 Crimper Only.




Descr.	Prod. No.	⊖			H1	H2	L		C		Weight
		"	mm		mm	mm	"	mm	"	mm	Lbs.
20MGS-20FFORX	7347-86045	1 1/4	31.8	1 11/16-12	50.0	50.0	5.04	128.0	2.24	56.9	.21

1 1/4" Special One-Piece Couplings - Female Flat-Face O-Ring Swivel - 90° Bent Tube

MGS Couplings for use with MC4-20 Crimper Only.



Descr.	Prod. No.	⊖			H1	H2	T	L		C		Weight	
		"	mm		mm	mm	"	mm	"	mm	"	mm	Lbs.
20MGS-20FFORX90M	7347-86055	1 1/4	31.8	1 11/16-12	—	50.0	3.07	78.0	6.77	172.0	3.97	100.8	.29

EQUIPMENT
HOSE/CPLG. SELECTION
G8K COUPLINGS
GLOBALSPIRAL COUPLINGS
PCM/PCS FERRULES
MEGACRIMP COUPLINGS
STAINLESS STEEL
POWER CRIMP COUPLINGS
LOC, GL AND GLP COUPLINGS
POLARSEAL COUPLINGS
POLARSEAL II COUPLINGS
C14 COUPLINGS
PCTS THERMO-PLASTIC COUPLINGS
FIELD ATTACHABLE G1 AND G2 COUPLINGS
FIELD ATTACHABLE C5 AND C5E COUPLINGS
SURELOK AIR BRAKE COUPLINGS
ADAPTERS
QUICK DISCONNECT COUPLERS
LIVE SWIVEL
BALL VALVES
ACCESSORIES
EQUIPMENT AND PARTS

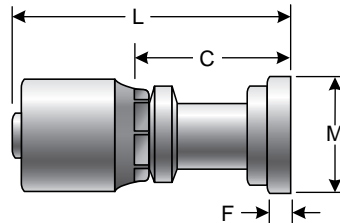




GlobalSpiral™ Couplings

1 1/4" Special One-Piece Couplings - Code 61 O-Ring Flange

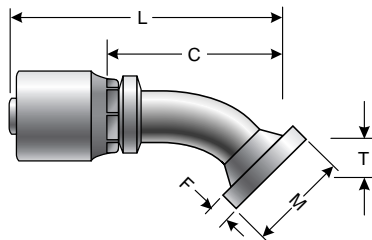
MGS Couplings for use with MC4-20 Crimper Only.



Descr.	Prod. No.	⊖		M		L		C		F		Weight
		"	mm	"	mm	"	mm	"	mm	"	mm	Lbs.
20MGS-20FL	7347-86065	1 1/4	31.8	2.00	50.8	5.75	146.1	2.95	74.9	.32	8.1	.20

1 1/4" Special One-Piece Couplings - Code 61 O-Ring Flange - 45° Bent Tube

MGS Couplings for use with MC4-20 Crimper Only.



Descr.	Prod. No.	⊖		M		T		L		C		F		Weight
		"	mm	"	mm	"	mm	"	mm	"	mm	"	mm	Lbs.
20MGS-20FL45S-032	7347-86075	1 1/4	31.8	2.00	50.8	1.26	32.0	6.69	169.9	3.89	98.8	.32	8.1	.05

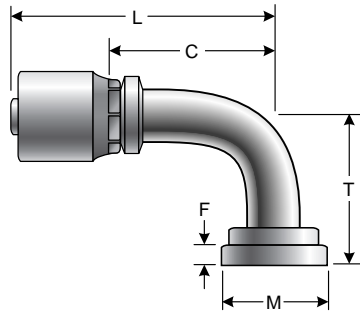
EQUIPMENT
HOSE/CPLG. SELECTION
G8K COUPLINGS
GLOBALSPIRAL COUPLINGS
PCM/PCS FERRULES
MEGACRIMP COUPLINGS
STAINLESS STEEL
POWER CRIMP COUPLINGS
LOC, GL AND GLP COUPLINGS
POLARSEAL COUPLINGS
POLARSEAL II COUPLINGS
C14 COUPLINGS
PCTS THERMO-PLASTIC COUPLINGS
FIELD ATTACHABLE G1 AND G2 COUPLINGS
FIELD ATTACHABLE C5 AND C5E COUPLINGS
SURELOK AIR BRAKE COUPLINGS
ADAPTERS
QUICK DISCONNECT COUPLERS
LIVE SWIVEL
BALL VALVES
ACCESSORIES
EQUIPMENT AND PARTS



GlobalSpiral™ Couplings

1 1/4" Special One-Piece Couplings - Code 61 O-Ring Flange - 90° Bent Tube

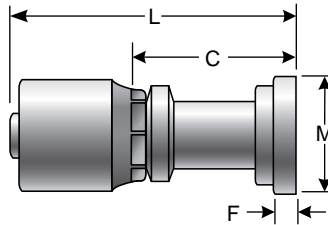
MGS Couplings for use with MC4-20 Crimper Only.



Descr.	Prod. No.	⊖		M		T		L		C		F		Weight Lbs.
		"	mm	"	mm	"	mm	"	mm	"	mm	"	mm	
20MGS-20FL90M-090	7347-86085	1 1/4	31.8	2.00	50.8	3.54	89.9	6.54	166.1	3.74	95.0	.32	8.1	.30

1 1/4" Special One-Piece Couplings - Code 62 O-Ring Flange

MGS Couplings for use with MC4-20 Crimper Only.



Descr.	Prod. No.	⊖		M		L		C		F		Weight Lbs.
		"	mm	"	mm	"	mm	"	mm	"	mm	
20MGS-20FLH	7347-86135	1 1/4	31.8	2.13	54.1	5.75	146.1	2.95	74.9	.41	10.4	.23

EQUIPMENT
HOSE/CPLG. SELECTION
G8K COUPLINGS
GLOBALSPIRAL COUPLINGS
PCM/PCS FERRULES
MEGACRIMP COUPLINGS
STAINLESS STEEL
POWER CRIMP COUPLINGS
LOC, GL AND GLP COUPLINGS
POLARSEAL COUPLINGS
POLARSEAL II COUPLINGS
C14 COUPLINGS
PCTS THERMO-PLASTIC COUPLINGS
FIELD ATTACHABLE G1 AND G2 COUPLINGS
FIELD ATTACHABLE C5 AND C5E COUPLINGS
SURELOK AIR BRAKE COUPLINGS
ADAPTERS
QUICK DISCONNECT COUPLERS
LIVE SWIVEL
BALL VALVES
ACCESSORIES
EQUIPMENT AND PARTS

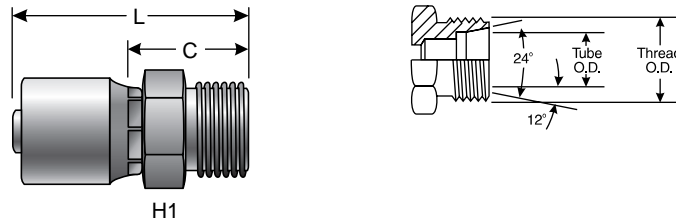


EQUIPMENT
HOSE/CPLG. SELECTION
G8K COUPLINGS
GLOBALSPIRAL COUPLINGS
PCM/PCS FERRULES
MEGACRIMP COUPLINGS
STAINLESS STEEL
POWER CRIMP COUPLINGS
LOC, GL AND GLP COUPLINGS
POLARSEAL COUPLINGS
POLARSEAL II COUPLINGS
C14 COUPLINGS
PCTS THERMO-PLASTIC COUPLINGS
FIELD ATTACHABLE G1 AND G2 COUPLINGS
FIELD ATTACHABLE C5 AND C5E COUPLINGS
SURELOK AIR BRAKE COUPLINGS
ADAPTERS
QUICK DISCONNECT COUPLERS
LIVE SWIVEL
BALL VALVES
ACCESSORIES
EQUIPMENT AND PARTS

GlobalSpiral™ Couplings

1 1/4" Special One-Piece Couplings - Male DIN 24° Cone - Heavy Series

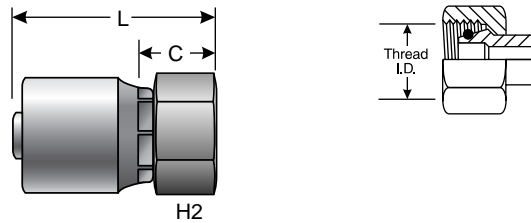
MGS Couplings for use with MC4-20 Crimper Only.



Descr.	Prod. No.	⊖		M52X2.0	H1	H2	L		C		Weight
		"	mm		mm	mm	"	mm	"	mm	Lbs.
20MGS-38MDH	7347-86115	1 1/4	31.8	M52X2.0	55.0	—	4.84	122.9	2.04	51.8	.20

1 1/4" Special One-Piece Couplings - Female DIN 24° Cone Swivel - Heavy Series with O-Ring

MGS Couplings for use with MC4-20 Crimper Only.

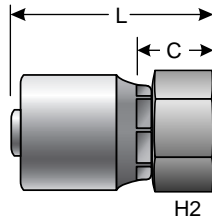



Descr.	Prod. No.	⊖		M52X2.0	H1	H2	L		C		Weight
		"	mm		mm	mm	"	mm	"	mm	Lbs.
20MGS-38FDHORX	7347-86095	1 1/4	31.8	M52X2.0	—	60.0	5.71	145.0	2.91	73.9	.23

GlobalSpiral™ Couplings

1 1/4" Special One-Piece Couplings - Female British Standard Pipe Parallel O-Ring Swivel

MGS Couplings for use with MC4-20 Crimper Only.



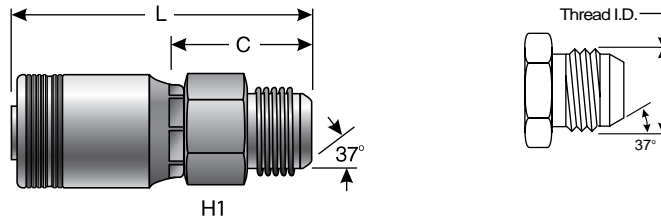
Descr.	Prod. No.	⊖			H1	H2	L		C		Weight
		"	mm		mm	mm	mm	"	mm	"	mm
20MGS-20FBSPORX	7347-86105	1 1/4	31.8	1 1/4-11	—	60.0	4.59	116.6	1.79	45.5	.16

EQUIPMENT
HOSE/CPLG. SELECTION
G8K COUPLINGS
GLOBALSPIRAL COUPLINGS
PCM/PCS FERRULES
MEGACRIMP COUPLINGS
STAINLESS STEEL
POWER CRIMP COUPLINGS
LOC, GL AND GLP COUPLINGS
POLARSEAL COUPLINGS
POLARSEAL II COUPLINGS
C14 COUPLINGS
PCTS THERMO-PLASTIC COUPLINGS
FIELD ATTACHABLE G1 AND G2 COUPLINGS
FIELD ATTACHABLE C5 AND C5E COUPLINGS
SURELOK AIR BRAKE COUPLINGS
ADAPTERS
QUICK DISCONNECT COUPLERS
LIVE SWIVEL
BALL VALVES
ACCESSORIES
EQUIPMENT AND PARTS



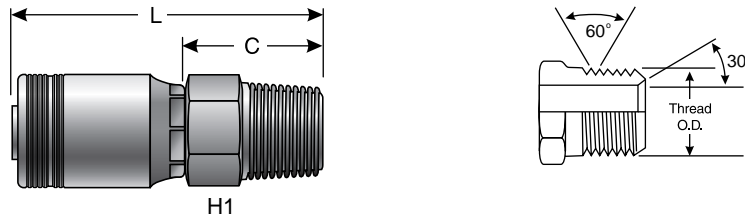
GlobalSpiral™ High Pressure Couplings

Male JIC 37° Flare



Descr.	Prod. No.	⊖		🌀	H1	H2	L		C		Weight
		"	mm		"	"	"	mm	"	mm	Lbs.
24GSH-24MJ	7341-02555	1 1/2	38.1	1 7/8-12	1.97	—	6.39	162.3	2.65	67.3	1.52
32GSH-32MJ	7341-06465	2	50.8	2 1/2-12	2.56	—	7.72	196.1	3.24	82.3	6.05

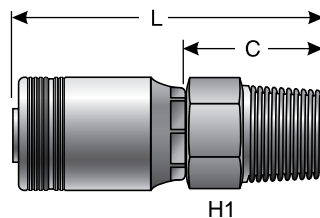
Male Pipe (NPTF - 30° Cone Seat)



Do Not Use in Oil Field (API) Connections

Descr.	Prod. No.	⊖		🌀	H1	H2	L		C		Weight
		"	mm		"	"	"	mm	"	mm	Lbs.
24GSH-24MP	7341-02585	1 1/2	38.1	1 1/2-11	2	—	6.51	165.4	2.77	70.4	1.53
32GSH-32MP	7341-06455	2	50.8	2-1 1/2	2.75	—	7.54	191.5	3.05	77.5	6.09

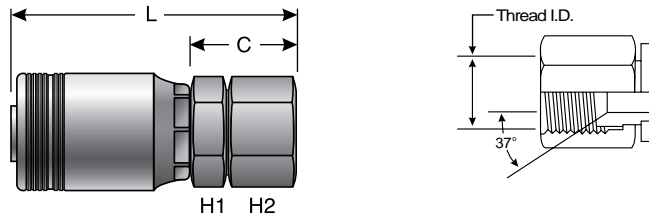
Male Pipe for API Unions



Descr.	Prod. No.	⊖		🌀	H1	H2	L		C		Weight
		"	mm		"	"	"	mm	"	mm	Lbs.
24GSH-24MPAPI	7341-02735	1 1/2	38.1	1 1/2-11	2	—	5.76	146.3	2.23	56.6	3.85
32GSH-32MPAPI	7341-06475	2	50.8	2-1 1/2	2.75	—	9.39	238.5	4.90	124.5	3.58

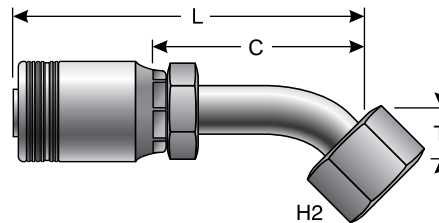
GlobalSpiral™ High Pressure Couplings

Female JIC 37° Flare Swivel



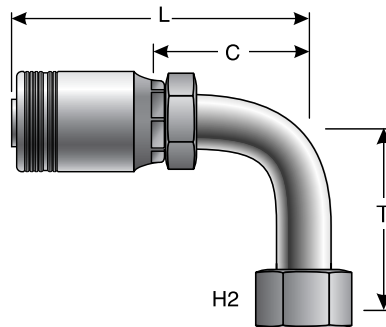
Descr.	Prod. No.	⊖			H1	H2	L		C		Weight
		"	mm				"	mm	"	mm	
24GSH-24FJX	7341-02525	1 1/2	38.1	1 7/8-12	2.17	2.36	6.78	172.2	3.04	77.2	4.25
32GSH-32FJX	7341-06445	2	50.8	2 1/2-12	2.76	2.95	8.07	205.0	3.59	91.2	8.69

Female JIC 37° Flare Swivel - 45° Bent Tube



Descr.	Prod. No.	⊖			H1	H1	H2	H2	T	L		C		Weight	
		"	mm							"	mm	"	mm		"
24GSH-24FJX45-034	7341-02535	1 1/2	38.1	1 7/8-12	—	55.0	60.00	—	1.34	34.0	8.90	226.1	5.15	130.8	5.01

Female JIC 37° Flare Swivel - 90° Bent Tube



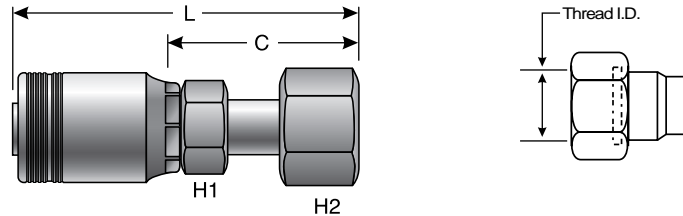
Descr.	Prod. No.	⊖			H1	H1	H2	H2	T	L		C		Weight	
		"	mm							"	mm	"	mm		"
24GSH-24FJX90M	7341-02545	1 1/2	38.1	1 7/8-12	—	55.0	60.00	—	3.39	86.1	8.96	227.6	7.18	182.4	5.45

EQUIPMENT
HOSE/CPLG. SELECTION
G8K COUPLINGS
GLOBALSPIRAL COUPLINGS
PCM/PCS FERRULES
MEGACRIMP COUPLINGS
STAINLESS STEEL
POWER CRIMP COUPLINGS
LOC, GL AND GLP COUPLINGS
POLARSEAL COUPLINGS
POLARSEAL II COUPLINGS
C14 COUPLINGS
PCTS THERMO-PLASTIC COUPLINGS
FIELD ATTACHABLE G1 AND G2 COUPLINGS
FIELD ATTACHABLE C5 AND C5E COUPLINGS
SURELOK AIR BRAKE COUPLINGS
ADAPTERS
QUICK DISCONNECT COUPLERS
LIVE SWIVEL
BALL VALVES
ACCESSORIES
EQUIPMENT AND PARTS



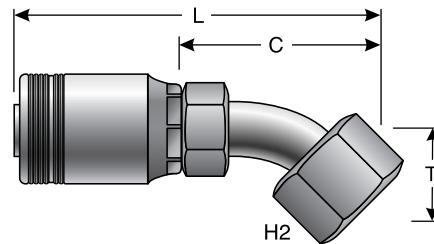
GlobalSpiral™ High Pressure Couplings

Female Flat-Face Swivel



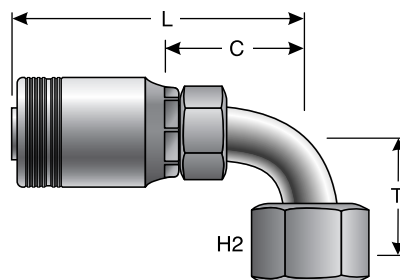
Descr.	Prod. No.	⊖		🌀	H1	H1	H2	H2	L		C		Weight
		"	mm		"	mm	"	mm	"	mm	"	mm	Lbs.
24GSH-24FFORX	7341-02445	1 1/2	38.1	2-12	2.17	—	2.36	—	6.47	164.3	2.73	69.3	4.20
32GSH-32FFORX	7341-06505	2	50.8	2-12	—	55.0	75.00	—	9.31	236.6	3.11	79.0	7.04

Female Flat-Face Swivel - 45° Bent Tube



Descr.	Prod. No.	⊖		🌀	H1	H1	H2	H2	T	L		C		Weight	
		"	mm		"	mm	"	mm	"	mm	"	mm	"	mm	Lbs.
24GSH4K-24FFORX45-038	7341-02455	1 1/2	38.1	2-12	—	55.0	60.00	—	1.50	38.1	9.31	236.6	5.56	141.1	4.86

Female Flat-Face Swivel - 90° Bent Tube

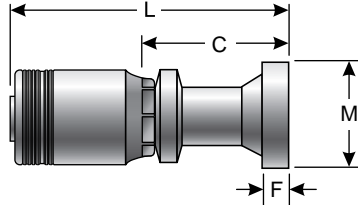


Descr.	Prod. No.	⊖		🌀	H1	H2	T	L		C		Weight	
		"	mm		"	"	"	mm	"	mm	"	mm	Lbs.
24GSH4K-24FFORX90M	7341-02475	1 1/2	38.1	2-12	—	2.50	3.41	86.6	8.48	215.4	3.69	93.7	5.20

GlobalSpiral™ High Pressure Couplings

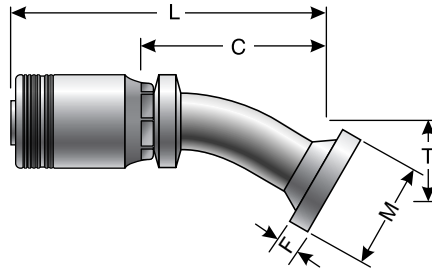
Code 61 O-Ring Flange

Maximum working pressure 3,000 PSI.



Descr.	Prod. No.	⊖		M		L		C		F		Weight Lbs.
		"	mm	"	mm	"	mm	"	mm	"	mm	
24GSH-24FL	7341-01905	1 1/2	38.1	2.38	60.5	7.09	180.1	3.35	85.1	.31	7.9	3.62
24GSH-32FL	7341-01915	1 1/2	38.1	2.81	71.4	7.40	188.0	3.66	93.0	.38	9.7	3.88
32GSH-32FL	7341-06335	2	50.8	2.81	71.4	9.90	251.5	5.41	137.4	.38	9.7	3.21

Code 61 O-Ring Flange - 30° Bent Tube



Descr.	Prod. No.	⊖		M		T		L		C		F		Weight Lbs.
		"	mm	"	mm	"	mm	"	mm	"	mm	"	mm	
24GSH-24FL30M	7341-01925	1 1/2	38.1	2.38	60.5	1.77	45.0	8.52	216.4	5.00	127.0	.32	8.1	4.52

EQUIPMENT

HOSE/CPLG.
SELECTION

G8K
COUPLINGS

GLOBALSPIRAL
COUPLINGS

PCM/PCS
FERRULES

MEGACRIMP
COUPLINGS

STAINLESS
STEEL

POWER
CRIMP
COUPLINGS

LOC, GL AND
GLP
COUPLINGS

POLARSEAL
COUPLINGS

POLARSEAL II
COUPLINGS

C14
COUPLINGS

PCTS
THERMO-
PLASTIC
COUPLINGS

FIELD
ATTACHABLE
G1 AND G2
COUPLINGS

FIELD
ATTACHABLE
C5 AND C5E
COUPLINGS

SURELOK AIR
BRAKE
COUPLINGS

ADAPTERS

QUICK
DISCONNECT
COUPLERS

LIVE SWIVEL

BALL VALVES

ACCESSORIES

EQUIPMENT
AND PARTS



Powering Progress.

gates.com/hydraulics

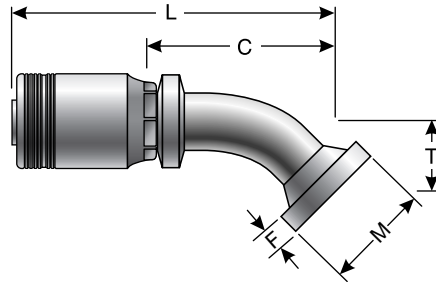
E59



GlobalSpiral™ High Pressure Couplings

Code 61 O-Ring Flange - 45° Bent Tube

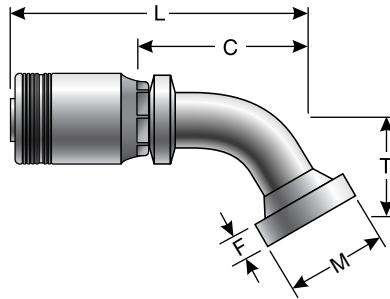
Maximum working pressure 3,000 PSI.



Descr.	Prod. No.	⊖		M		T		L		C		F		Weight Lbs.
		"	mm	"	mm	"	mm	"	mm	"	mm	"	mm	
24GSH-24FL45M	7341-01945	1 1/2	38.1	2.38	60.5	1.73	43.9	9.05	229.9	5.31	134.9	.31	7.9	4.55
24GSH-32FL45S	7341-01955	1 1/2	38.1	2.81	71.4	2.05	52.1	9.13	231.9	5.34	136.6	.38	9.7	4.80
32GSH-32FL45M	7341-06345	2	50.8	2.81	71.4	2.20	55.9	11.30	287.0	6.83	173.5	.38	9.7	8.31

Code 61 O-Ring Flange - 60° Bent Tube

Maximum working pressure 3,000 PSI.



Descr.	Prod. No.	⊖		M		T		L		C		F		Weight Lbs.
		"	mm	"	mm	"	mm	"	mm	"	mm	"	mm	
24GSH-24FL60M	7341-01965	1 1/2	38.1	2.38	60.5	2.52	64.0	9.50	241.3	5.75	146.1	.31	7.9	4.77

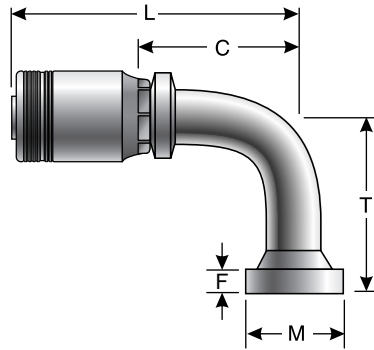
- EQUIPMENT
- HOSE/CPLG. SELECTION
- G8K COUPLINGS
- GLOBALSPIRAL COUPLINGS
- PCM/PCS FERRULES
- MEGACRIMP COUPLINGS
- STAINLESS STEEL
- POWER CRIMP COUPLINGS
- LOC, GL AND GLP COUPLINGS
- POLARSEAL COUPLINGS
- POLARSEAL II COUPLINGS
- C14 COUPLINGS
- PCTS THERMO-PLASTIC COUPLINGS
- FIELD ATTACHABLE G1 AND G2 COUPLINGS
- FIELD ATTACHABLE C5 AND C5E COUPLINGS
- SURELOK AIR BRAKE COUPLINGS
- ADAPTERS
- QUICK DISCONNECT COUPLERS
- LIVE SWIVEL
- BALL VALVES
- ACCESSORIES
- EQUIPMENT AND PARTS



GlobalSpiral™ High Pressure Couplings

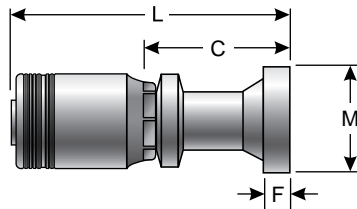
Code 61 O-Ring Flange - 90° Bent Tube

Maximum working pressure 3,000 PSI.



Descr.	Prod. No.	⊖		M		T		L		C		F		Weight Lbs.
		"	mm	"	mm	"	mm	"	mm	"	mm	"	mm	
24GSH-24FL90S	7341-01985	1 1/2	38.1	2.38	60.5	3.19	81.0	8.46	214.9	4.72	119.9	.31	7.9	2.18
32GSH-32FL90-130	7341-06355	2	50.8	2.81	71.4	5.12	130.1	10.39	263.9	5.94	150.9	.38	9.7	4.25

Code 62 O-Ring Flange Heavy



Descr.	Prod. No.	⊖		M		L		C		F		Weight Lbs.
		"	mm	"	mm	"	mm	"	mm	"	mm	
24GSH-20FLH	7341-02245	1 1/2	38.1	2.13	54.1	7.87	199.9	4.13	104.9	.41	10.4	3.06
24GSH-24FLH	7341-02255	1 1/2	38.1	2.50	63.5	7.87	199.9	4.13	104.9	.50	12.7	1.86
24GSH-32FLH	7341-02265	1 1/2	38.1	3.13	79.5	7.87	199.9	4.13	104.9	.50	12.7	2.14
32GSH-24FLH	7341-06135	2	50.8	2.50	63.5	9.04	229.6	4.55	115.6	.50	12.7	6.11
32GSH-32FLH	7341-15605	2	50.8	3.13	79.5	9.90	251.5	5.41	137.4	.50	12.7	7.64

EQUIPMENT
HOSE/CPLG. SELECTION
G8K COUPLINGS
GLOBALSPIRAL COUPLINGS
PCM/PCS FERRULES
MEGACRIMP COUPLINGS
STAINLESS STEEL
POWER CRIMP COUPLINGS
LOC, GL AND GLP COUPLINGS
POLARSEAL COUPLINGS
POLARSEAL II COUPLINGS
C14 COUPLINGS
PCTS THERMO-PLASTIC COUPLINGS
FIELD ATTACHABLE G1 AND G2 COUPLINGS
FIELD ATTACHABLE C5 AND C5E COUPLINGS
SURELOK AIR BRAKE COUPLINGS
ADAPTERS
QUICK DISCONNECT COUPLERS
LIVE SWIVEL
BALL VALVES
ACCESSORIES
EQUIPMENT AND PARTS

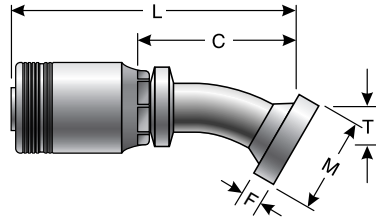




EQUIPMENT
HOSE/CPLG. SELECTION
G8K COUPLINGS
GLOBALSPIRAL COUPLINGS
PCM/PCS FERRULES
MEGACRIMP COUPLINGS
STAINLESS STEEL
POWER CRIMP COUPLINGS
LOC, GL AND GLP COUPLINGS
POLARSEAL COUPLINGS
POLARSEAL II COUPLINGS
C14 COUPLINGS
PCTS THERMO-PLASTIC COUPLINGS
FIELD ATTACHABLE G1 AND G2 COUPLINGS
FIELD ATTACHABLE C5 AND C5E COUPLINGS
SURELOK AIR BRAKE COUPLINGS
ADAPTERS
QUICK DISCONNECT COUPLERS
LIVE SWIVEL
BALL VALVES
ACCESSORIES
EQUIPMENT AND PARTS

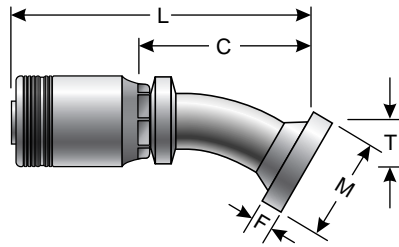
GlobalSpiral™ High Pressure Couplings

Code 62 O-Ring Flange Heavy - 22° Bent Tube



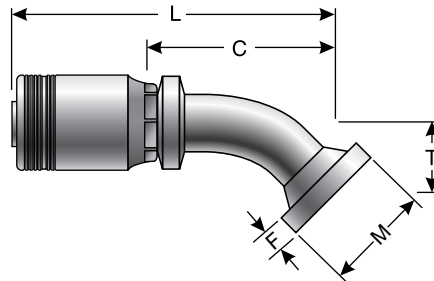
Descr.	Prod. No.	⊖		M		T		L		C		F		Weight
		"	mm	"	mm	"	mm	"	mm	"	mm	"	mm	Lbs.
24GSH-24FLH20-024	7341-02395	1 1/2	38.1	2.50	63.5	.94	23.9	9.56	242.8	5.81	147.6	.50	12.7	4.67
24GSH-24FLH22M	7341-02275	1 1/2	38.1	2.50	63.5	.70	17.8	9.56	242.8	5.84	148.4	.50	12.7	4.70

Code 62 O-Ring Flange Heavy - 30° Bent Tube



Descr.	Prod. No.	⊖		M		T		L		C		F		Weight
		"	mm	"	mm	"	mm	"	mm	"	mm	"	mm	Lbs.
24GSH-24FLH30M	7341-02295	1 1/2	38.1	2.50	63.5	3.54	89.9	9.45	240.0	5.70	144.8	.50	12.7	2.13
32GSH-32FLH30M	7341-06215	2	50.8	3.13	79.5	1.25	31.8	12.24	311.0	7.74	196.8	.50	12.7	8.86

Code 62 O-Ring Flange Heavy - 45° Bent Tube



Descr.	Prod. No.	⊖		M		T		L		C		F		Weight
		"	mm	"	mm	"	mm	"	mm	"	mm	"	mm	Lbs.
24GSH-24FLH45M	7341-02315	1 1/2	38.1	2.50	63.5	1.73	43.9	9.13	231.9	5.39	136.9	.50	12.7	2.14
24GSH-32FLH45M	7341-02325	1 1/2	38.1	3.13	79.5	2.20	55.9	9.48	240.8	5.74	146.0	.50	12.7	5.46

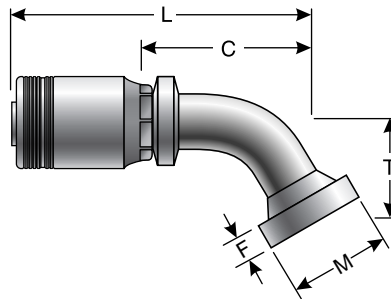


GlobalSpiral™ High Pressure Couplings

Code 62 O-Ring Flange Heavy - 45° Bent Tube - Cont'd

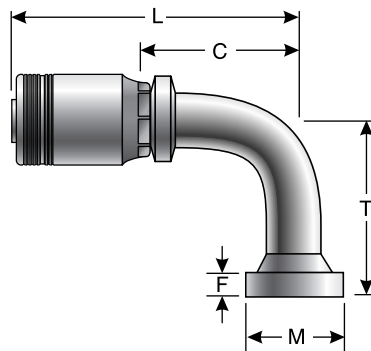
Descr.	Prod. No.	⊖		M		T		L		C		F		Weight Lbs.
		"	mm	"	mm	"	mm	"	mm	"	mm	"	mm	
32GSH-32FLH45-063	7341-06225	2	50.8	3.13	79.5	2.48	63.0	11.67	296.4	7.18	182.4	.50	12.7	9.40

Code 62 O-Ring Flange Heavy - 60° Bent Tube



Descr.	Prod. No.	⊖		M		T		L		C		F		Weight Lbs.
		"	mm	"	mm	"	mm	"	mm	"	mm	"	mm	
24GSH-24FLH60M	7341-02335	1 1/2	38.1	2.50	63.5	2.50	63.5	9.25	235.0	6.23	158.2	.50	12.7	2.34
32GSH-32FLH60M	7341-06235	2	50.8	3.13	79.5	3.26	82.8	12.28	311.9	7.77	197.4	.50	12.7	10.60

Code 62 O-Ring Flange Heavy - 90° Bent Tube



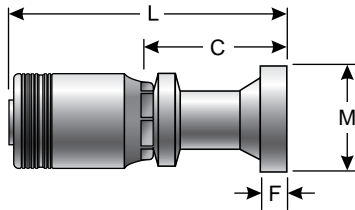
Descr.	Prod. No.	⊖		M		T		L		C		F		Weight Lbs.
		"	mm	"	mm	"	mm	"	mm	"	mm	"	mm	
24GSH-24FLH90-094	7341-02355	1 1/2	38.1	2.50	63.5	3.70	94.0	8.73	221.7	4.68	118.9	.50	12.7	2.35
24GSH-24FLH90-150	7341-02375	1 1/2	38.1	2.50	63.5	5.90	149.9	8.42	213.9	4.68	118.9	.50	12.7	6.01
24GSH-32FLH90S	7341-02365	1 1/2	38.1	2.81	71.4	4.72	119.9	8.42	213.9	4.68	118.9	.50	12.7	2.79
32GSH-32FLH90-159	7341-15615	2	50.8	3.13	79.5	6.26	159.0	10.41	264.4	5.92	150.4	.50	12.7	11.40
32GSH-32FLH90M	7341-06275	2	50.8	3.13	79.5	5.40	137.2	10.41	264.4	6.24	158.5	.50	12.7	10.05
32GSH-32FLH90S	7341-06255	2	50.8	3.13	79.5	4.72	119.9	10.39	263.9	5.92	150.4	.50	12.7	9.91

EQUIPMENT
HOSE/CPLG. SELECTION
G8K COUPLINGS
GLOBALSPIRAL COUPLINGS
PCM/PCS FERRULES
MEGACRIMP COUPLINGS
STAINLESS STEEL
POWER CRIMP COUPLINGS
LOC, GL AND GLP COUPLINGS
POLARSEAL COUPLINGS
POLARSEAL II COUPLINGS
C14 COUPLINGS
PCTS THERMO-PLASTIC COUPLINGS
FIELD ATTACHABLE G1 AND G2 COUPLINGS
FIELD ATTACHABLE C5 AND C5E COUPLINGS
SURELOK AIR BRAKE COUPLINGS
ADAPTERS
QUICK DISCONNECT COUPLERS
LIVE SWIVEL
BALL VALVES
ACCESSORIES
EQUIPMENT AND PARTS



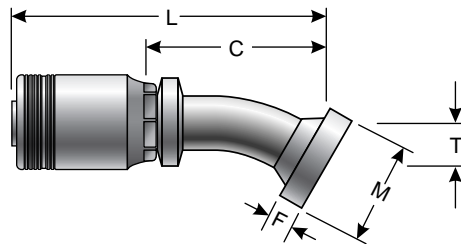
GlobalSpiral™ High Pressure Couplings

Caterpillar Style O-Ring Flange



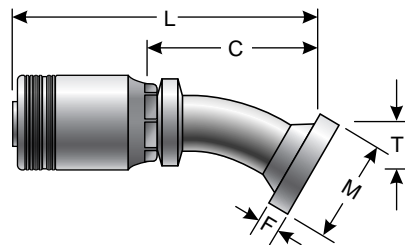
Descr.	Prod. No.	⊖		M		L		C		F		Weight
		"	mm	"	mm	"	mm	"	mm	"	mm	Lbs.
24GSH-24FLC	7341-02055	1 1/2	38.1	2.50	63.5	7.44	189.0	3.71	94.2	.56	14.2	4.02
24GSH-24FLCL	7341-02175	1 1/2	38.1	2.50	63.5	9.37	238.0	5.64	143.3	.56	14.2	2.11
24GSH-32FLC	7341-02065	1 1/2	38.1	3.13	79.5	7.87	199.9	4.13	104.9	.56	14.2	4.77
32GSH-32FLC	7341-06385	2	50.8	3.13	79.5	8.96	227.6	4.48	113.8	.56	14.2	3.22

Caterpillar Style O-Ring Flange - 22° Bent Tube



Descr.	Prod. No.	⊖		M		T		L		C		F		Weight
		"	mm	"	mm	"	mm	"	mm	"	mm	"	mm	Lbs.
24GSH-24FLC22-017	7341-02075	1 1/2	38.1	2.50	63.5	.66	16.8	9.29	236.0	5.57	141.5	.56	14.2	4.63
24GSH-32FLC22-022	7341-02085	1 1/2	38.1	3.13	79.5	.87	22.1	7.87	261.0	4.13	104.9	.56	14.2	5.65

Caterpillar Style O-Ring Flange - 30° Bent Tube



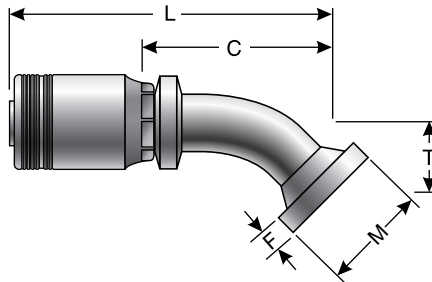
Descr.	Prod. No.	⊖		M		T		L		C		F		Weight
		"	mm	"	mm	"	mm	"	mm	"	mm	"	mm	Lbs.
24GSH-24FLC30-023	7341-02095	1 1/2	38.1	2.50	63.5	.90	22.9	9.25	235.0	5.49	139.5	.56	14.2	2.11

GlobalSpiral™ High Pressure Couplings

Caterpillar Style O-Ring Flange - 30° Bent Tube - Cont'd

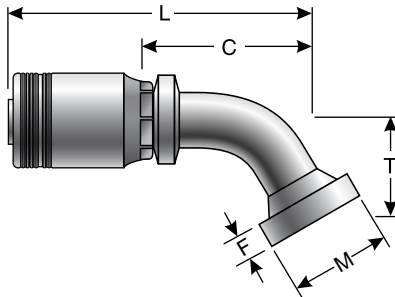
Descr.	Prod. No.	⊖		M		T		L		C		F		Weight Lbs.
		"	mm	"	mm	"	mm	"	mm	"	mm	"	mm	
24GSH-32FLC30-035	7341-02105	1 1/2	38.1	3.13	79.5	1.37	34.8	10.11	257.0	6.36	161.6	.56	14.2	5.64
32GSH-32FLC30-035	7341-06425	2	50.8	3.13	79.5	1.37	34.8	11.85	301.2	7.37	187.2	.56	14.2	8.88

Caterpillar Style O-Ring Flange - 45° Bent Tube



Descr.	Prod. No.	⊖		M		T		L		C		F		Weight Lbs.
		"	mm	"	mm	"	mm	"	mm	"	mm	"	mm	
24GSH-24FLC45-039	7341-02115	1 1/2	38.1	2.50	63.5	1.54	39.1	8.94	227.1	5.20	132.1	.56	14.2	2.12
24GSH-32FLC45-059	7341-02125	1 1/2	38.1	3.13	79.5	2.32	58.9	9.60	244.0	5.86	149.0	.56	14.2	5.68
32GSH-32FLC45-064	7341-06395	2	50.8	3.13	79.5	3.25	82.6	11.36	288.5	7.54	191.5	.56	14.2	9.00

Caterpillar Style O-Ring Flange - 60° Bent Tube



Descr.	Prod. No.	⊖		M		T		L		C		F		Weight Lbs.
		"	mm	"	mm	"	mm	"	mm	"	mm	"	mm	
24GSH-24FLC60-055	7341-02135	1 1/2	38.1	2.50	63.5	2.17	55.1	9.91	251.7	6.17	156.7	.56	14.2	5.15
24GSH-32FLC60-087	7341-02145	1 1/2	38.1	3.13	79.5	3.42	86.9	11.69	297.0	7.94	201.9	.56	14.2	6.62
32GSH-32FLC60-083	7341-06405	2	50.8	3.13	79.5	3.27	83.1	12.67	321.8	8.17	207.5	.56	14.2	10.20

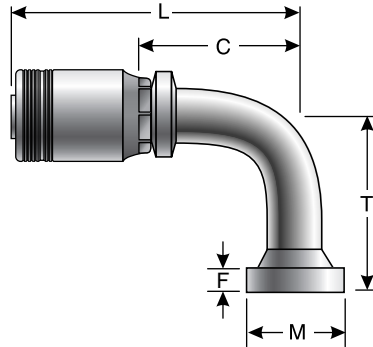
EQUIPMENT
HOSE/CPLG. SELECTION
G8K COUPLINGS
GLOBALSPIRAL COUPLINGS
PCM/PCS FERRULES
MEGACRIMP COUPLINGS
STAINLESS STEEL
POWER CRIMP COUPLINGS
LOC, GL AND GLP COUPLINGS
POLARSEAL COUPLINGS
POLARSEAL II COUPLINGS
C14 COUPLINGS
PCTS THERMO-PLASTIC COUPLINGS
FIELD ATTACHABLE G1 AND G2 COUPLINGS
FIELD ATTACHABLE C5 AND C5E COUPLINGS
SURELOK AIR BRAKE COUPLINGS
ADAPTERS
QUICK DISCONNECT COUPLERS
LIVE SWIVEL
BALL VALVES
ACCESSORIES
EQUIPMENT AND PARTS



EQUIPMENT
HOSE/CPLG. SELECTION
G8K COUPLINGS
GLOBALSPIRAL COUPLINGS
PCM/PCS FERRULES
MEGACRIMP COUPLINGS
STAINLESS STEEL
POWER CRIMP COUPLINGS
LOC, GL AND GLP COUPLINGS
POLARSEAL COUPLINGS
POLARSEAL II COUPLINGS
C14 COUPLINGS
PCTS THERMO-PLASTIC COUPLINGS
FIELD ATTACHABLE G1 AND G2 COUPLINGS
FIELD ATTACHABLE C5 AND C5E COUPLINGS
SURELOK AIR BRAKE COUPLINGS
ADAPTERS
QUICK DISCONNECT COUPLERS
LIVE SWIVEL
BALL VALVES
ACCESSORIES
EQUIPMENT AND PARTS

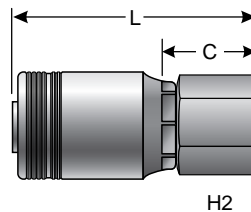
GlobalSpiral™ High Pressure Couplings

Caterpillar Style O-Ring Flange - 90° Bent Tube



Descr.	Prod. No.	⊖		M		T		L		C		F		Weight Lbs.
		"	mm	"	mm	"	mm	"	mm	"	mm	"	mm	
24GSH-24FLC90-087	7341-02155	1 1/2	38.1	2.50	63.5	3.43	87.1	8.43	214.1	4.70	119.4	.56	14.2	2.35
24GSH-32FLC90-140	7341-02165	1 1/2	38.1	3.13	79.5	5.51	140.0	8.85	225.0	5.11	129.9	.56	14.2	6.59
32GSH-32FLC90-130	7341-06415	2	50.8	3.13	79.5	5.12	130.1	10.40	264.2	5.92	150.4	.56	14.2	4.51

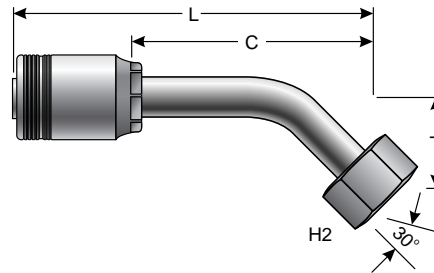
Female British Standard Parallel Pipe O-Ring Swivel



Descr.	Prod. No.	⊖		🌀	H1	H2	L		C		Weight Lbs.
		"	mm		mm	mm	"	mm	"	mm	
24GSH-24FBSPORX	7341-07015	1 1/2	38.1	1 1/2	—	55.0	6.06	153.9	2.32	58.9	3.87
32GSH-32FBSPORX	7341-07005	2	50.8	2-11	—	70.0	7.24	183.9	2.75	69.9	7.45

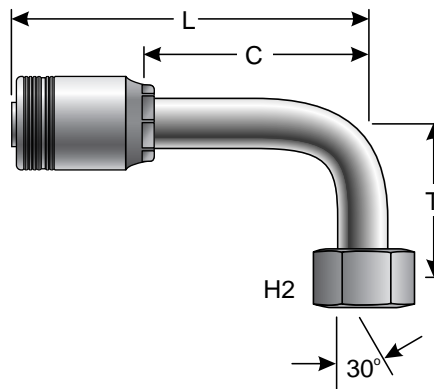
GlobalSpiral™ High Pressure Couplings

Female British Standard Parallel Pipe O-Ring Swivel - 45° Bent Tube



Descr.	Prod. No.	⊖		🌀	H1	H2	T		L		C		Weight Lbs.
		"	mm		mm	mm	"	mm	"	mm	"	mm	
24GSH-24FBSPORX45	7341-07035	1 1/2	38.1	1 1/2	—	55.0	1.96	49.8	9.56	242.8	5.81	147.6	5.00
32GSH-32FBSPORX45	7341-07095	2	50.8	2-11	—	70.0	3.40	86.4	12.56	319.0	8.06	204.7	9.52

Female British Standard Parallel Pipe O-Ring Swivel - 90° Bent Tube



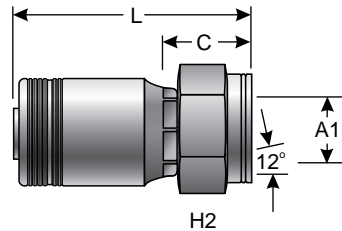
Descr.	Prod. No.	⊖		🌀	H1	H2	T		L		C		Weight Lbs.
		"	mm		mm	mm	"	mm	"	mm	"	mm	
24GSH-24FBSPORX90	7341-07045	1 1/2	38.1	1 1/2	—	55.0	3.94	100.1	8.76	222.5	5.02	127.5	5.33
32GSH-32FBSPORX90	7341-07105	2	50.8	2-11	—	70.0	6.54	166.1	10.89	276.6	6.39	162.3	10.38

EQUIPMENT
HOSE/CPLG. SELECTION
G8K COUPLINGS
GLOBALSPIRAL COUPLINGS
PCM/PCS FERRULES
MEGACRIMP COUPLINGS
STAINLESS STEEL
POWER CRIMP COUPLINGS
LOC, GL AND GLP COUPLINGS
POLARSEAL COUPLINGS
POLARSEAL II COUPLINGS
C14 COUPLINGS
PCTS THERMO-PLASTIC COUPLINGS
FIELD ATTACHABLE G1 AND G2 COUPLINGS
FIELD ATTACHABLE C5 AND C5E COUPLINGS
SURELOK AIR BRAKE COUPLINGS
ADAPTERS
QUICK DISCONNECT COUPLERS
LIVE SWIVEL
BALL VALVES
ACCESSORIES
EQUIPMENT AND PARTS



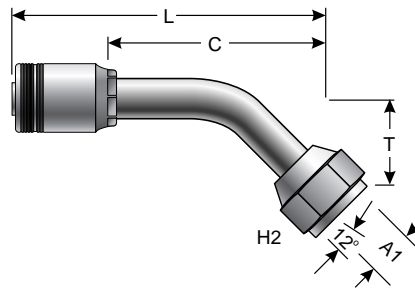
GlobalSpiral™ High Pressure Couplings

Female DIN 24° Cone Swivel - Heavy Series with O-Ring



Descr.	Prod. No.	⊖		M52X2.0	H1	H2	L		C		A1	Weight
		"	mm		mm	mm	"	mm	"	mm	mm	Lbs.
24GSH-38FDHORX	7341-07055	1 1/2	38.1	M52X2.0	—	60.0	7.09	180.1	3.35	85.1	38.0	4.40

Female DIN 24° Cone Swivel - Heavy Series with O-Ring - 45° Bent Tube

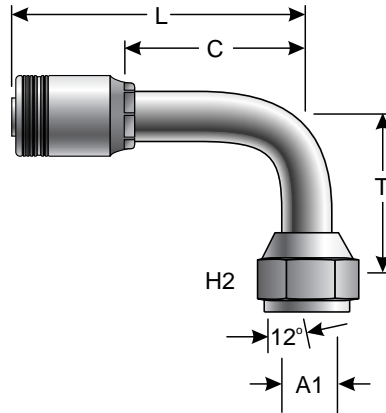



Descr.	Prod. No.	⊖		M52X2.0	H1	H2	T		L		C		A1	Weight
		"	mm		mm	mm	"	mm	"	mm	"	mm	mm	Lbs.
24GSH-38FDHORX45	7341-07065	1 1/2	38.1	M52X2.0	—	60.0	1.74	44.2	9.33	237.0	5.59	142.0	38.0	5.06

- EQUIPMENT
- HOSE/CPLG. SELECTION
- G8K COUPLINGS
- GLOBALSPIRAL COUPLINGS
- PCM/PCS FERRULES
- MEGACRIMP COUPLINGS
- STAINLESS STEEL
- POWER CRIMP COUPLINGS
- LOC, GL AND GLP COUPLINGS
- POLARSEAL COUPLINGS
- POLARSEAL II COUPLINGS
- C14 COUPLINGS
- PCTS THERMO-PLASTIC COUPLINGS
- FIELD ATTACHABLE G1 AND G2 COUPLINGS
- FIELD ATTACHABLE C5 AND C5E COUPLINGS
- SURELOK AIR BRAKE COUPLINGS
- ADAPTERS
- QUICK DISCONNECT COUPLERS
- LIVE SWIVEL
- BALL VALVES
- ACCESSORIES
- EQUIPMENT AND PARTS

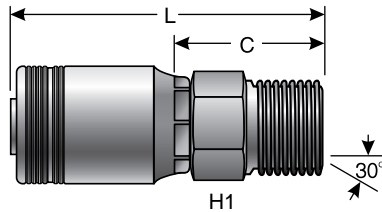
GlobalSpiral™ High Pressure Couplings


Female DIN 24° Cone Swivel - Heavy Series with O-Ring - 90° Bent Tube



Descr.	Prod. No.	⊖			H1	H2	T		L		C		A1	Weight
		"	mm		mm	mm	"	mm	"	mm	"	mm	mm	Lbs.
24GSH-38FDHORX90	7341-07075	1 1/2	38.1	M52X2.0	—	60.0	3.62	92.0	8.76	222.5	5.02	127.5	38.0	5.43

Male British Standard Pipe Parallel



Descr.	Prod. No.	⊖			H1	H2	L		C		Weight
		"	mm		mm	mm	"	mm	"	mm	Lbs.
24GSH-24MBSPP	7341-07025	1 1/2	38.1	1 1/2-11	2.0	—	6.41	162.8	2.67	67.8	3.64
32GSH-32MBSPP	7341-07125	2	50.8	2-11	70.1	—	7.40	188.0	2.91	73.9	5.87

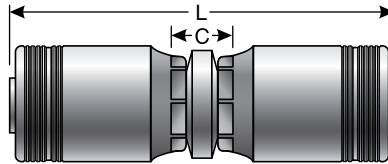
EQUIPMENT
HOSE/CPLG. SELECTION
G8K COUPLINGS
GLOBALSPIRAL COUPLINGS
PCM/PCS FERRULES
MEGACRIMP COUPLINGS
STAINLESS STEEL
POWER CRIMP COUPLINGS
LOC, GL AND GLP COUPLINGS
POLARSEAL COUPLINGS
POLARSEAL II COUPLINGS
C14 COUPLINGS
PCTS THERMO-PLASTIC COUPLINGS
FIELD ATTACHABLE G1 AND G2 COUPLINGS
FIELD ATTACHABLE C5 AND C5E COUPLINGS
SURELOK AIR BRAKE COUPLINGS
ADAPTERS
QUICK DISCONNECT COUPLERS
LIVE SWIVEL
BALL VALVES
ACCESSORIES
EQUIPMENT AND PARTS





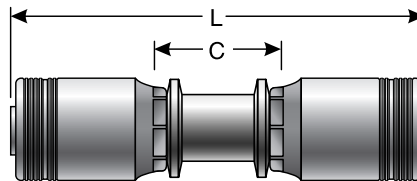
GlobalSpiral™ High Pressure Couplings


Hose Length Extender



Descr.	Prod. No.	⊖		L		C		Weight
		"	mm	"	mm	"	mm	Lbs.
32GSH-32HLE	7341-06485	2	50.8	11.11	282.0	2.14	54.4	8.87

Hose Length Extender for Caterpillar with Clamping Area



Descr.	Prod. No.	⊖			L	C	Weight
		"	mm		"	"	Lbs.
24GSH-24HLEC	7341-02645	1 1/2	38.1	1 1/2	10.66	3.18	2.58

EQUIPMENT
HOSE/CPLG. SELECTION
G8K COUPLINGS
GLOBALSPIRAL COUPLINGS
PCM/PCS FERRULES
MEGACRIMP COUPLINGS
STAINLESS STEEL
POWER CRIMP COUPLINGS
LOC, GL AND GLP COUPLINGS
POLARSEAL COUPLINGS
POLARSEAL II COUPLINGS
C14 COUPLINGS
PCTS THERMO-PLASTIC COUPLINGS
FIELD ATTACHABLE G1 AND G2 COUPLINGS
FIELD ATTACHABLE C5 AND C5E COUPLINGS
SURELOK AIR BRAKE COUPLINGS
ADAPTERS
QUICK DISCONNECT COUPLERS
LIVE SWIVEL
BALL VALVES
ACCESSORIES
EQUIPMENT AND PARTS

