

## PRODUCT SERIES SPECIFICATIONS

**Series:** NS1

**Category:** General Purpose

**Pressure:** Vacuum to 15 psi, 1.0 bar

**Temperature:** 32°F-120°F (0°C-49°C)

**Spillage & Air Inclusion:** <br> <br> <0.02 cc per disconnect<br> <0.01 cc per connect

**Material Compliance**

**RoHS:** Compliant

For more information see [cpcworldwide.com](http://cpcworldwide.com) or contact us at [cpcworldwide.com/ContactUs](http://cpcworldwide.com/ContactUs)

*Interactive 3D graphic, click to activate and rotate.*

**NS1 Series couplings** compact design is packed full of features including non-spill shutoff valves that ensure drip-free disconnects, and eliminate the need to purge air from the system. The smallest plastic non-spill coupling on the market, NS1 is perfect for applications with tubing from 1/8-inch and smaller. Its rotating design allows tubing to move freely without kinks. Ideal for applications that need to be connected and disconnected often, the ergonomic, user-friendly interface enables a secure, reliable connect and disconnect.

## Features - Benefits

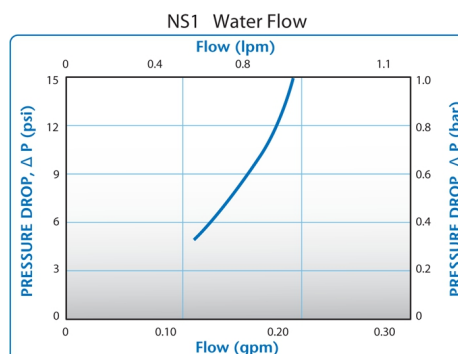
Non-spill design - Closed system for drip-free disconnect

Ultra low air inclusion - Minimizes contaminants, eliminates the need to purge air bubbles from the system

Intuitive interface - User friendly ergonomic design enables a secure, reliable connection

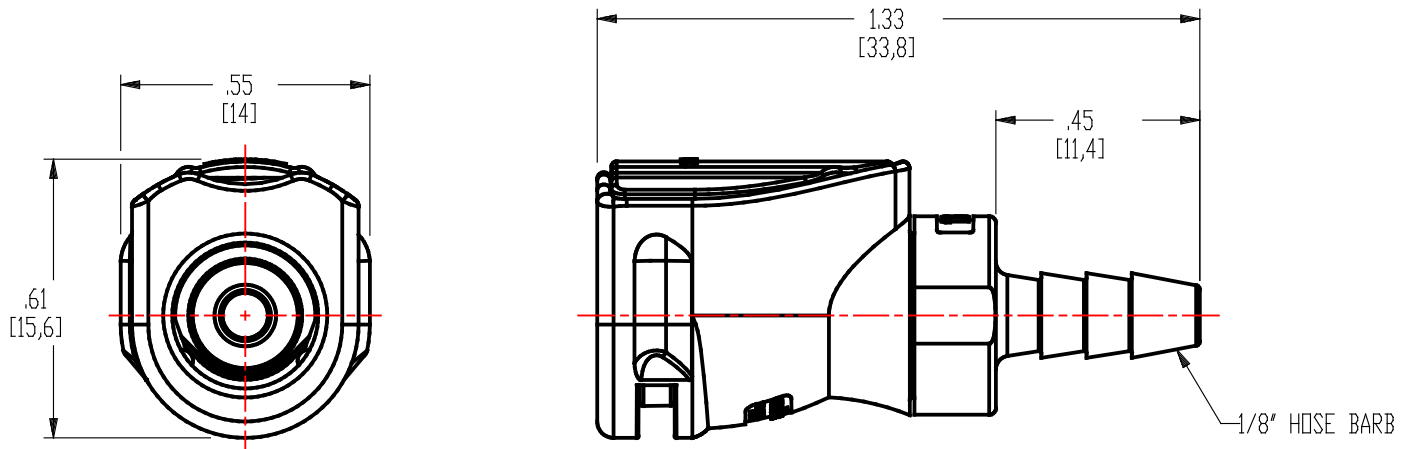
Rotating design - Allows tubing to move freely or relax without kinking or leaking

Chemically resistant materials - Reliable strength and performance in a range of applications



These graphs are intended to give you a general idea of the performance capabilities of each product line. Contact CPC for flow of a particular coupling combination.

**Technical details:**



**Description:** 1/8" Hose Barb Valved In-Line Coupling Body

**Materials:**

**Main Components:** Glass filled Gray Polypropylene

**Valve:** Gray Polypropylene

**Valve Spring:** Stainless Steel

**Seals:** EPDM

**Thumb Latch:** Gray PEEK

**Others:** Gray PEEK Stem

**Standard Packaging Quantity:** 25