

PRODUCT SERIES SPECIFICATIONS

Series: NS1

Category: General Purpose

Pressure: Vacuum to 15 psi, 1.0 bar

Temperature: 32°F-120°F (0°C-49°C)

Spillage & Air Inclusion:

 <0.02 cc per disconnect
 <0.01 cc per connect

Material Compliance

RoHS: Compliant

For more information see cpcworldwide.com or contact us at cpcworldwide.com/ContactUs

Interactive 3D graphic, click to activate and rotate.

NS1 Series couplings compact design is packed full of features including non-spill shutoff valves that ensure drip-free disconnects, and eliminate the need to purge air from the system. The smallest plastic non-spill coupling on the market, NS1 is perfect for applications with tubing from 1/8-inch and smaller. Its rotating design allows tubing to move freely without kinks. Ideal for applications that need to be connected and disconnected often, the ergonomic, user-friendly interface enables a secure, reliable connect and disconnect.

Features - Benefits

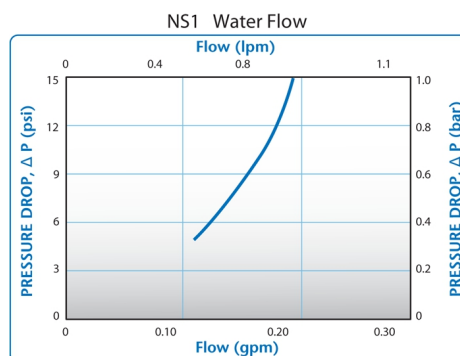
Non-spill design - Closed system for drip-free disconnect

Ultra low air inclusion - Minimizes contaminants, eliminates the need to purge air bubbles from the system

Intuitive interface - User friendly ergonomic design enables a secure, reliable connection

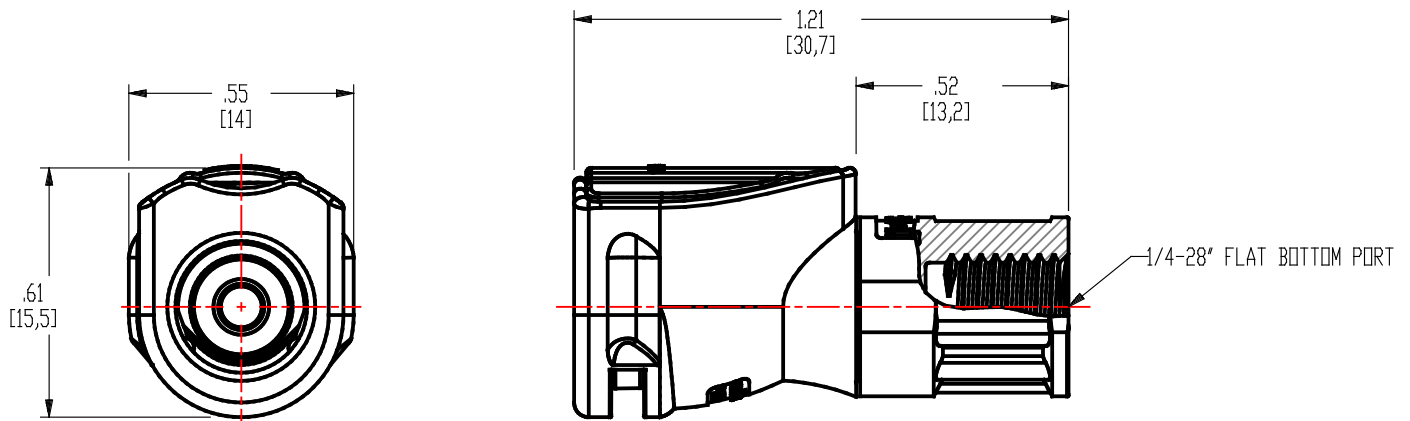
Rotating design - Allows tubing to move freely or relax without kinking or leaking

Chemically resistant materials - Reliable strength and performance in a range of applications



These graphs are intended to give you a general idea of the performance capabilities of each product line. Contact CPC for flow of a particular coupling combination.

Technical details:



Description: 1/4-28" Flat Bottom Port Valved In-Line Coupling Body

Materials:

Main Components: Glass filled Gray Polypropylene

Valve: Gray Polypropylene

Valve Spring: Stainless Steel

Seals: EPDM

Thumb Latch: Gray PEEK

Others: Gray PEEK Stem

Standard Packaging Quantity: 25