

## PRODUCT SERIES SPECIFICATIONS

**Series:** NS212

**Category:** General Purpose

**Pressure:** Vacuum to 45 psi, 3.1 bar

**Temperature:** 32°F-120°F (0°C-49°C)

**Spillage & Air Inclusion:** <br> <br> <0.025cc per disconnect<br> 0.009cc per connect

**Material Compliance**

**Reach:** Compliant

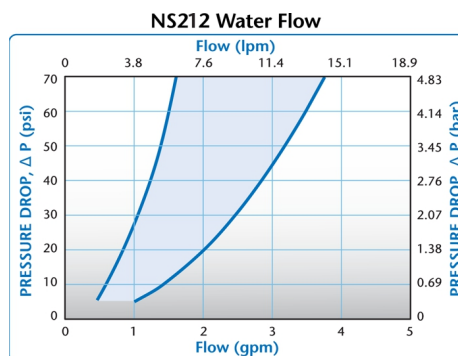
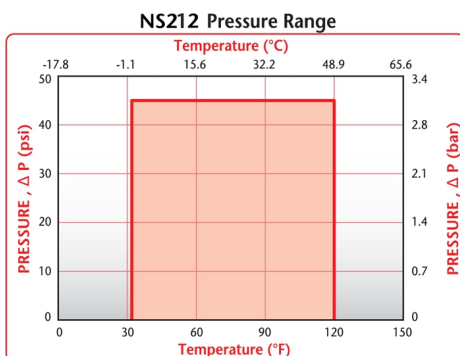
For more information see [cpcworldwide.com](http://cpcworldwide.com) or contact us at [cpcworldwide.com/ContactUs](http://cpcworldwide.com/ContactUs)

Interactive 3D graphic, click to activate and rotate.

**NS212 Series couplings** were built on the company's proven platform of non-spill valves designed to provide fast, safe and leak-free fluid line connections. The NS212 is an easy, twist-to-connect coupling with an integrated locking mechanism and double-sided non-spill shutoff valves. It is also chemically resistant and ideal for a diverse range of applications including printing and ink management, analytical instrumentation, electronic cooling and chemical handling. NS212 couplings provide high-flow fluid transfer in a small footprint.

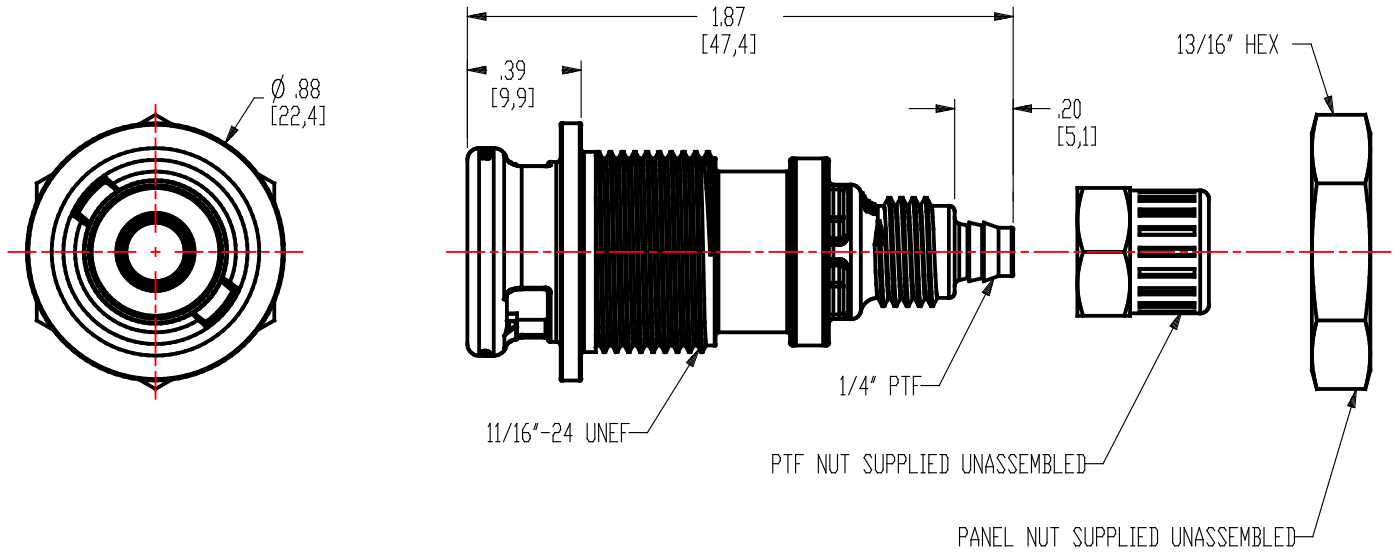
### Features - Benefits

- Efficient, non-spill design - Disconnect under pressure with no spills
- Multiple seal materials - Broad chemical compatibility for diverse applications
- Twist-to-connect locking - Easy, non-spill connections in tight spaces
- Compact design - High flow in a small connector
- Ultra low air inclusion - Minimizes contaminants, reduces the need to purge lines



These graphs are intended to give you a general idea of the performance capabilities of each product line. Contact CPC for flow of a particular coupling combination.

**Technical details:**



**Description:** 1/4" PTF Valved Panel Mount Coupling Body

**Materials:**

**Main Components:** Glass filled Gray Polypropylene

**Valve:** Glass filled Gray Polypropylene

**Valve Spring:** Stainless Steel

**Seals:** EPDM(FKM,FFKM optional)

**Standard Packaging Quantity:** 25